

**Master Wiring Diagrams
for
All New 2019 R410A
Heat Siphon® Models
& Accessories**

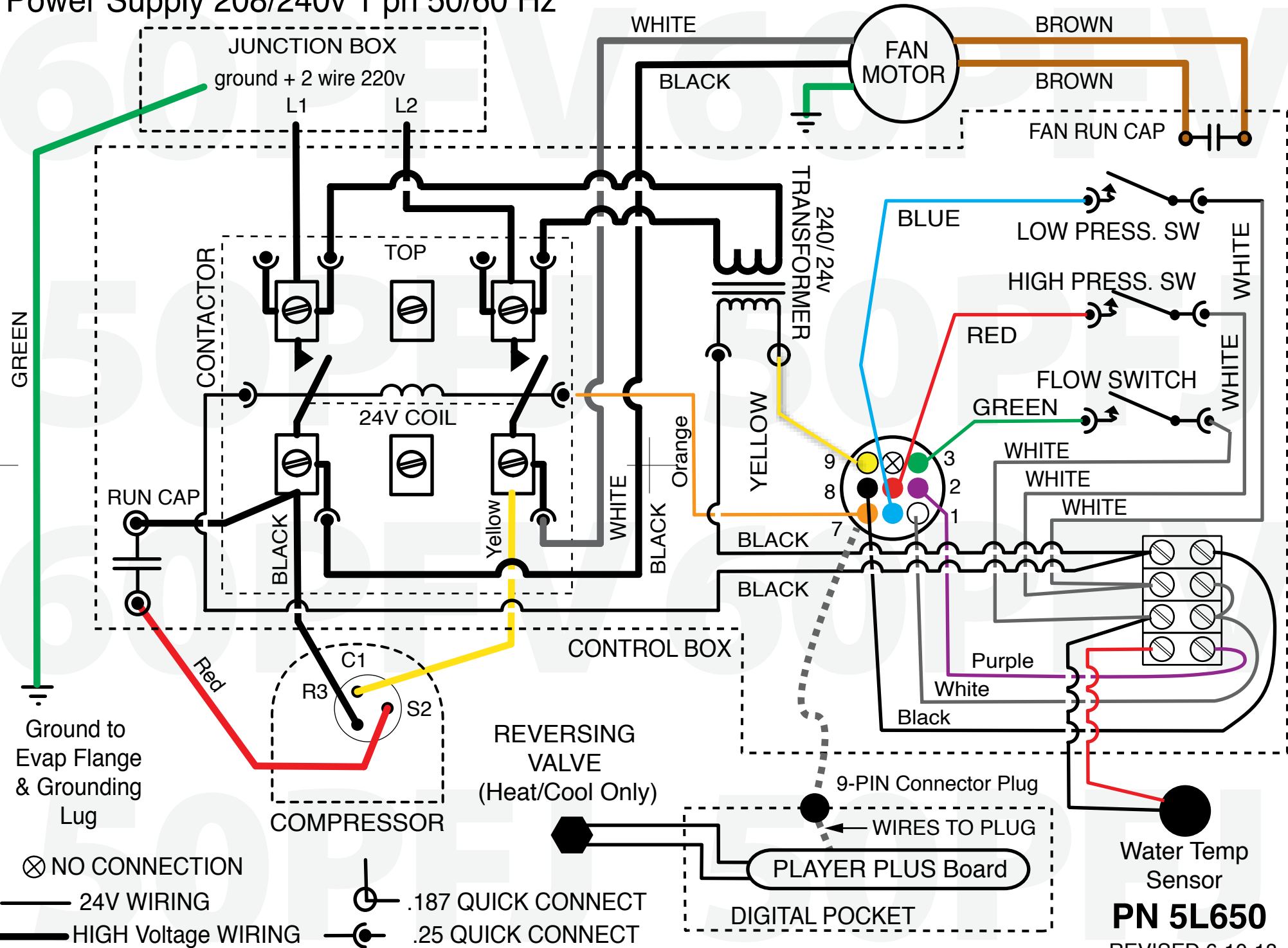
NOTICE:

These are wiring diagrams for the currently produced models as of the date of this document revision. For a complete set of OLD wiring diagrams use the "Heat Siphon Wiring Diagram.pdf" document posted on the web.

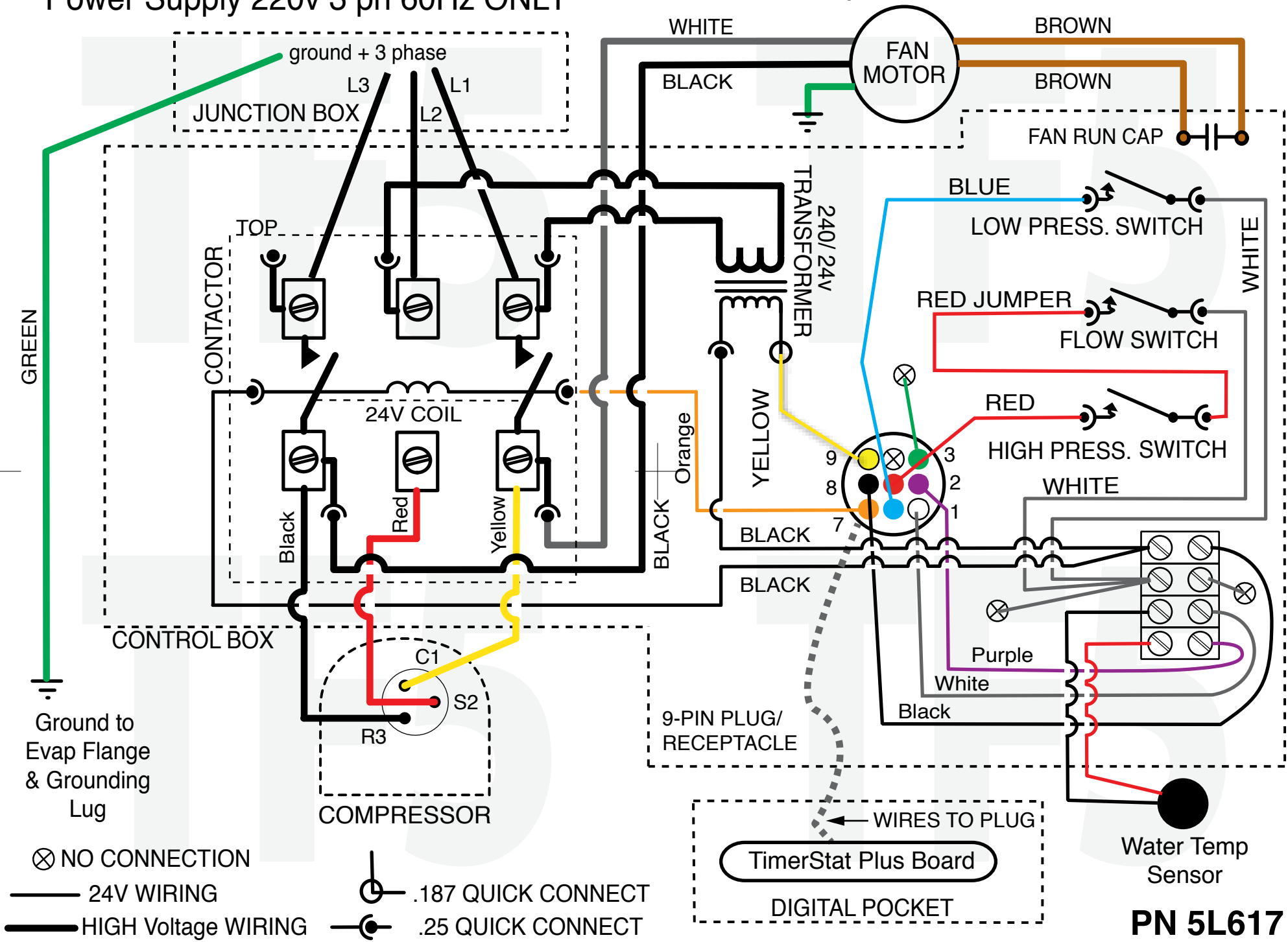
Wiring Diagram Contents

| | |
|---|-----------|
| Analog "C" Series w/Water Press. & TimeStat Plus | 3 |
| <i>Timerstat Plus-HP/HP50 Models-208/240v-1Ph-50/60 Hz -2 Pole</i> | 3 |
| <i>Timerstat Plus-HP/HP50 Models-208/240v-1Ph-50/60 Hz -3 Pole</i> | 4 |
| <i>Timerstat Plus-HP3 Models-208/220v-3Ph-60 Hz</i> | 5 |
| <i>Timerstat Plus-HPX/CPX Models-380v-3Ph-50Hz 5 Wire</i> | 6 |
| <i>Timerstat Plus-HP4 Models-440v-3Ph-60 Hz 3 Wire</i> | 7 |
| Analog "C" Series w/Water Press. & TimeStat Pro | 8 |
| <i>Timerstat Pro-HP/HP50 Models-208/240v-1Ph-50/60 Hz -2 Pole</i> | 8 |
| <i>Timerstat Pro-HP/HP50 Models-208/240v-1Ph-50/60 Hz -3 Pole</i> | 9 |
| <i>Timerstat Pro-HP3 Models-208/220v-3Ph-60 Hz</i> | 10 |
| <i>Timerstat Pro-HPX/CPX Models-380v-3Ph-50Hz 5 Wire</i> | 11 |
| <i>Timerstat Pro-HP4 Models-440v-3Ph-60 Hz 3 Wire</i> | 12 |
| Digital Player Plus-Series w/Water Press. Sw. | 13 |
| <i>Digital-CP/HP/CP50/HP50 Models-208/240v-1Ph-50/60 Hz -2 Pole</i> | 13 |
| <i>Digital Player Plus-CP/HP/CP50/HP50 Models-208/240v-1Ph-50/60 Hz -3 Pole</i> | 14 |
| <i>Digital Player Plus - HP3/HC3/CP3 Models-220v-3Ph-60 Hz</i> | 15 |
| <i>Digital Player Plus- HCX/HPX/CPX Models-380v-3Ph-50 Hz 5 Wire</i> | 16 |
| <i>Digital Player Plus - HC4/HP4/CP4 Models 440v-3 Ph-60Hz 3 Wire</i> | 17 |
| POD Digital Wired Controllers. | 18 |
| <i>J-POD - Hard-Wired PumpJump Override - 110v - 1 Ph - 60 Hz</i> | 18 |
| <i>J-POD -Hard-Wired PumpJump Override - 220v - 1 Ph - 60 Hz</i> | 19 |
| <i>T-POD - Hard-Wired Pump Timer w/ PumpJump - 110v - 1 Ph - 60 Hz</i> | 20 |
| <i>T-POD - Hard-Wired Pump Timer w/ PumpJump - 220v - 1 Ph - 60 Hz</i> | 21 |
| <i>S-POD - Hard-Wired Pool/Spa Switching w/Pump Timer /PumpJump - 110v - 1 Ph - 60 Hz</i> | 22 |
| <i>S-POD - Hard-Wired Pool/Spa Switching w/Pump Timer /PumpJump - 220v - 1 Ph - 60 Hz</i> | 23 |
| <i>P-POD - Wireless Pump Controller - 220v - 1 Ph - 60 Hz</i> | 24 |
| <i>C-POD - Wireless Combo Pool/Spa Pump & Valve Controller - 220v - 1 Ph - 60 Hz</i> | 25 |
| <i>A-POD - Wireless Auxiliary Controller - 220v - 1 Ph - 60 Hz</i> | 26 |
| Document Revision Record | 27 |

Power Supply 208/240v 1 ph 50/60 Hz

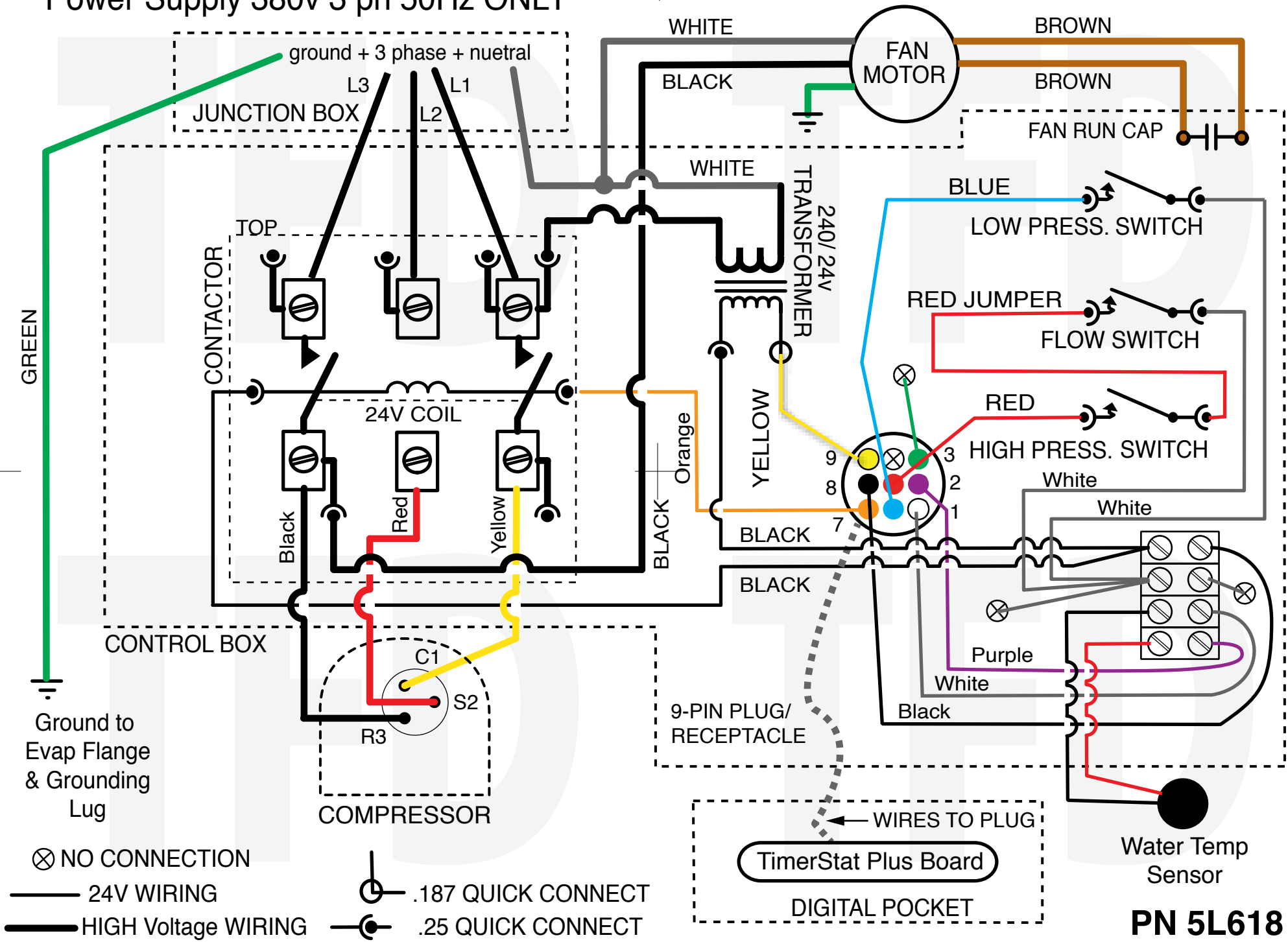


Power Supply 220v 3 ph 60Hz ONLY



PN 5L617
REVISED 7-17-17

Power Supply 380v 3 ph 50Hz ONLY



TimerStat Plus Board

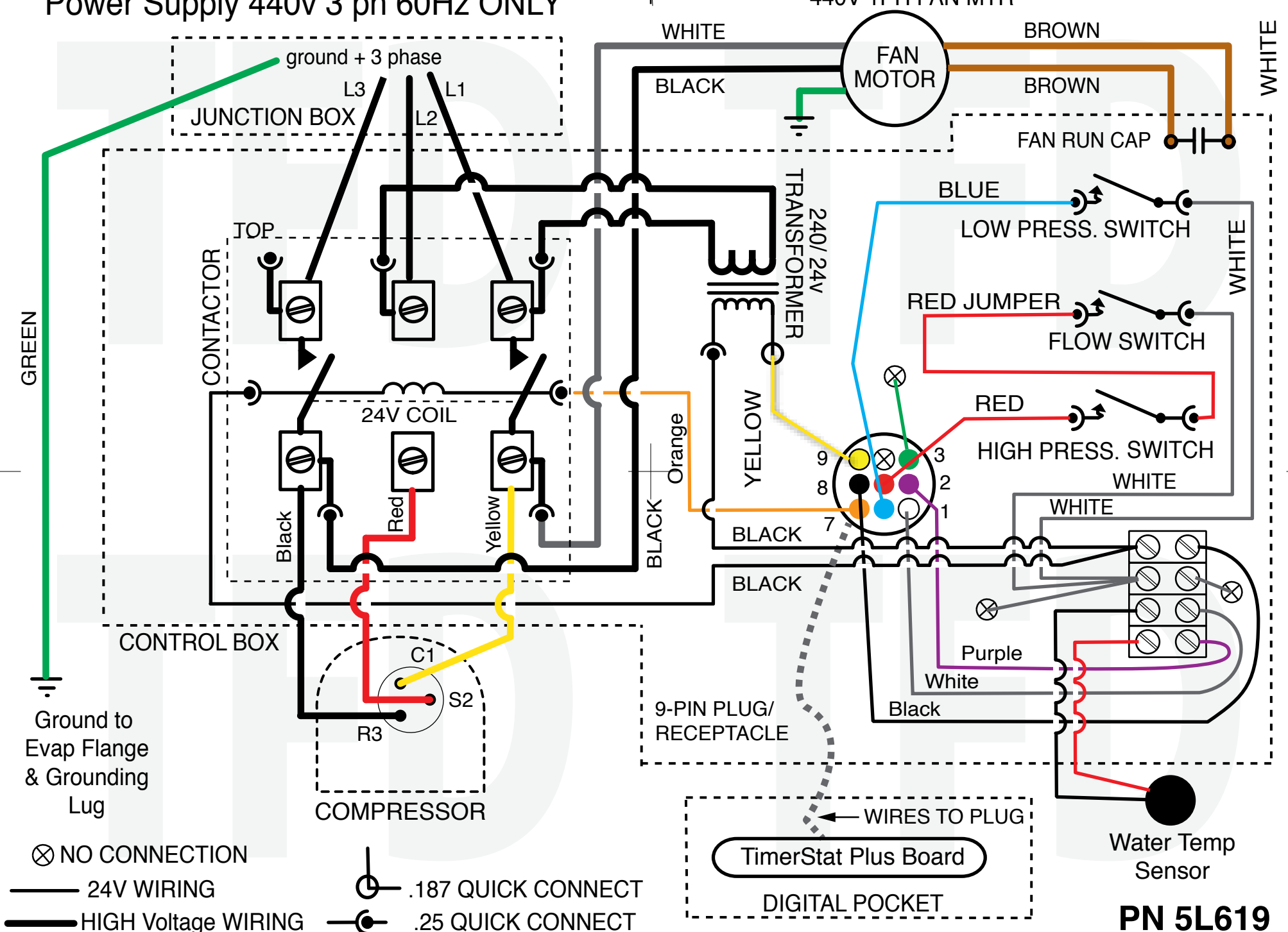
DIGITAL POCKET

Water Temp Sensor

PN 5L618

REVISED 7-17-17

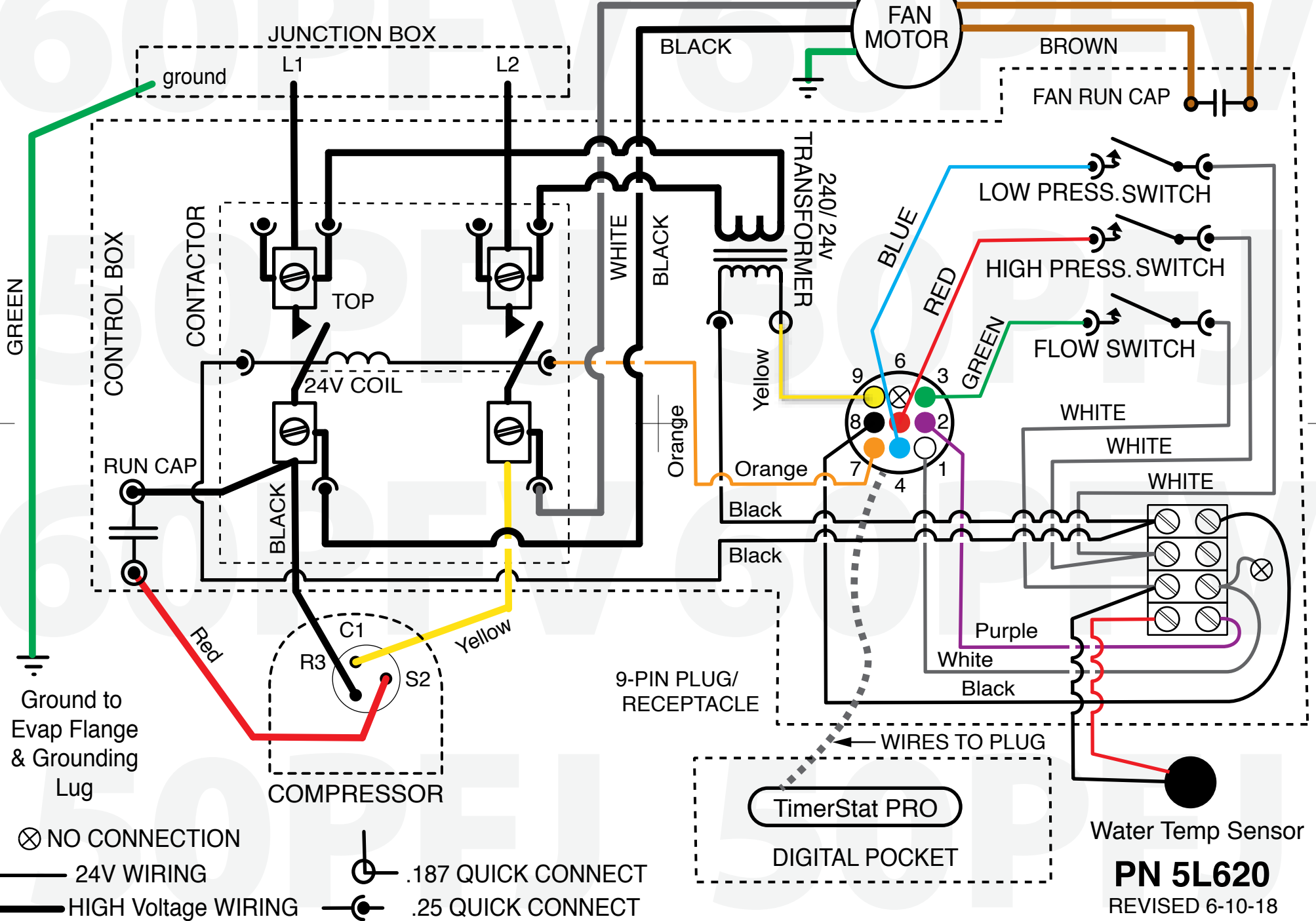
Power Supply 440v 3 ph 60Hz ONLY



PN 5L619
REVISED 7-17-17

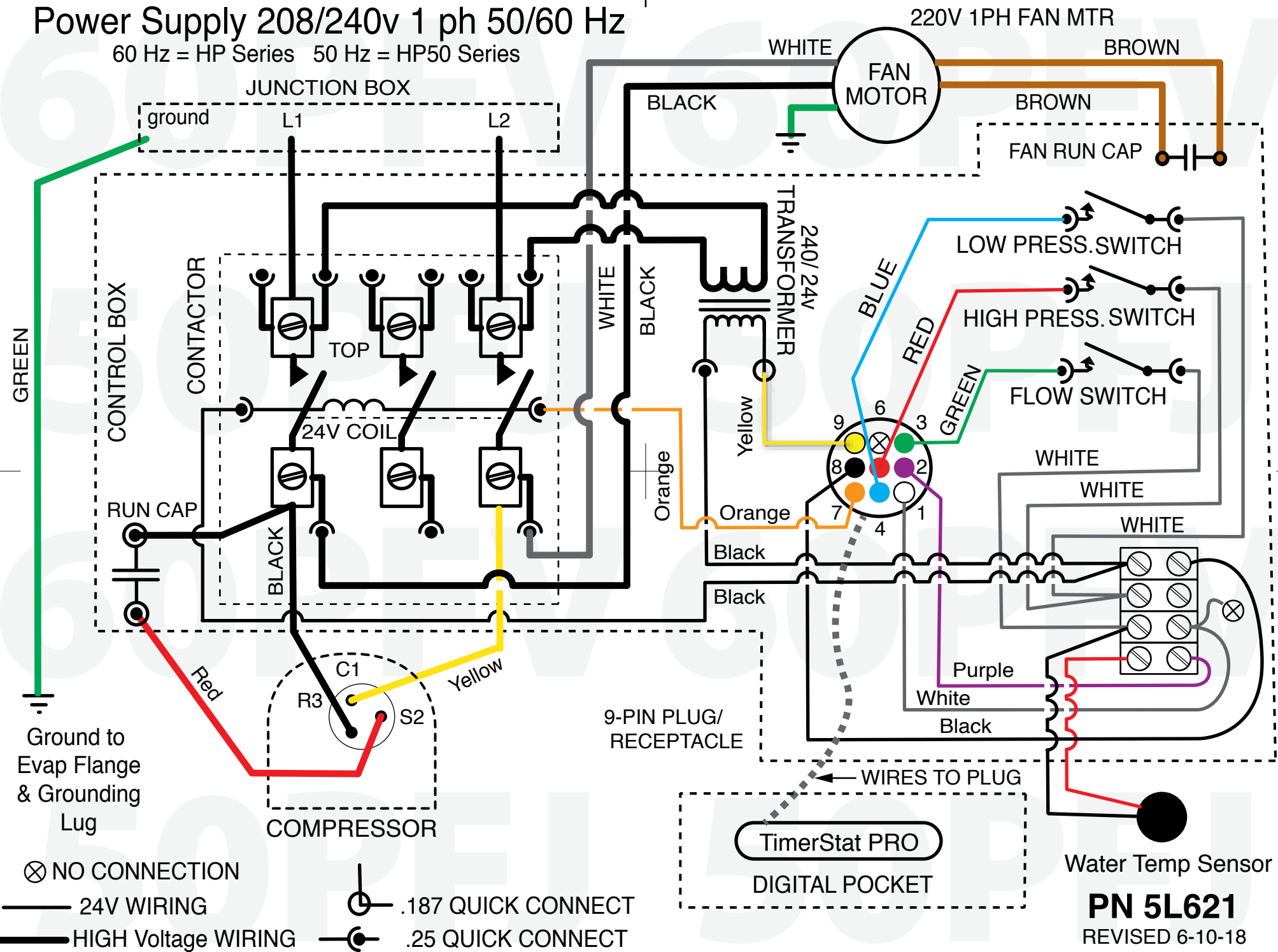
Power Supply 208/240v 1 ph 50/60 Hz

60 Hz = HP Series 50 Hz = HP50 Series

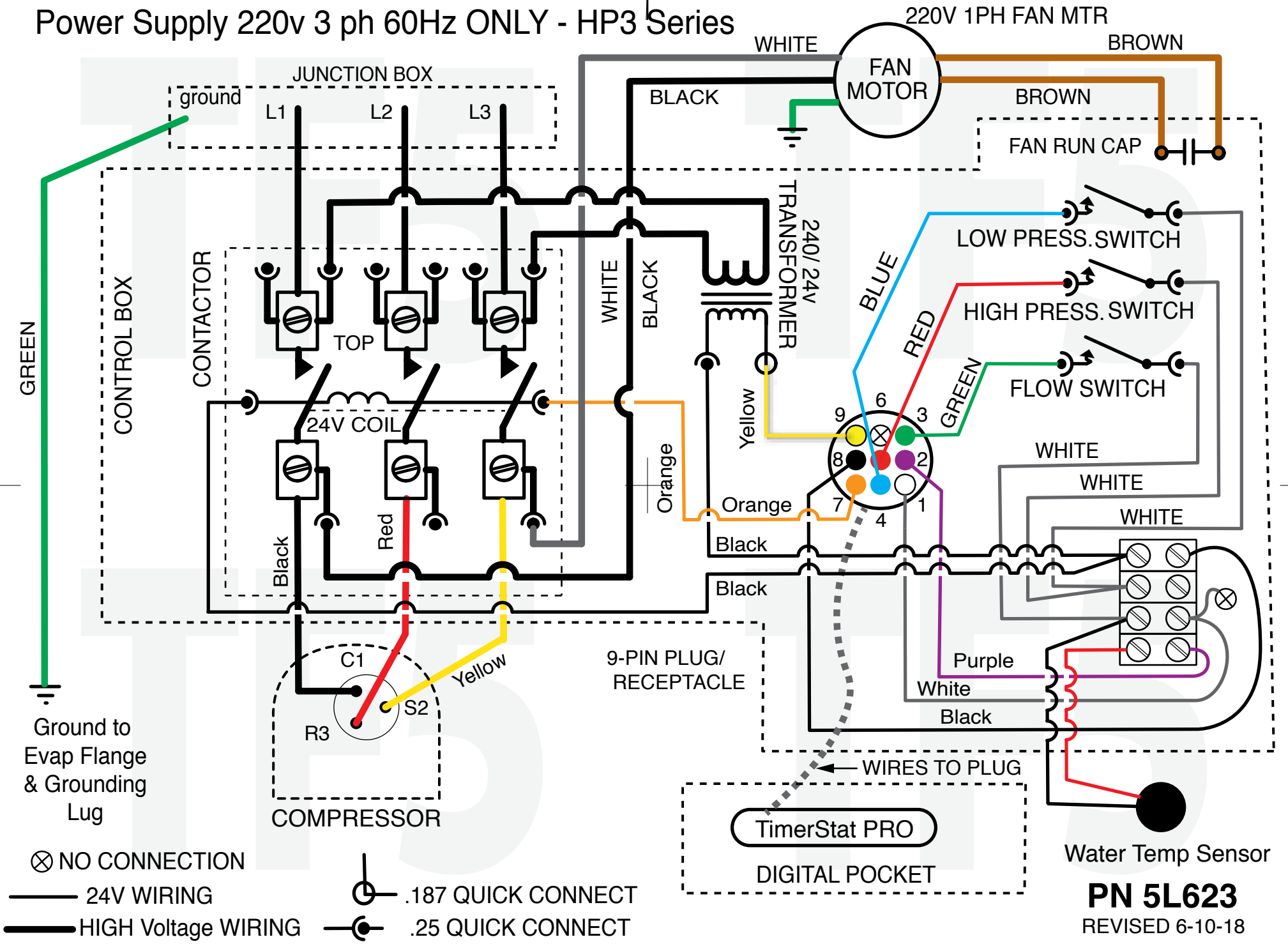


Power Supply 208/240v 1 ph 50/60 Hz

60 Hz = HP Series 50 Hz = HP50 Series

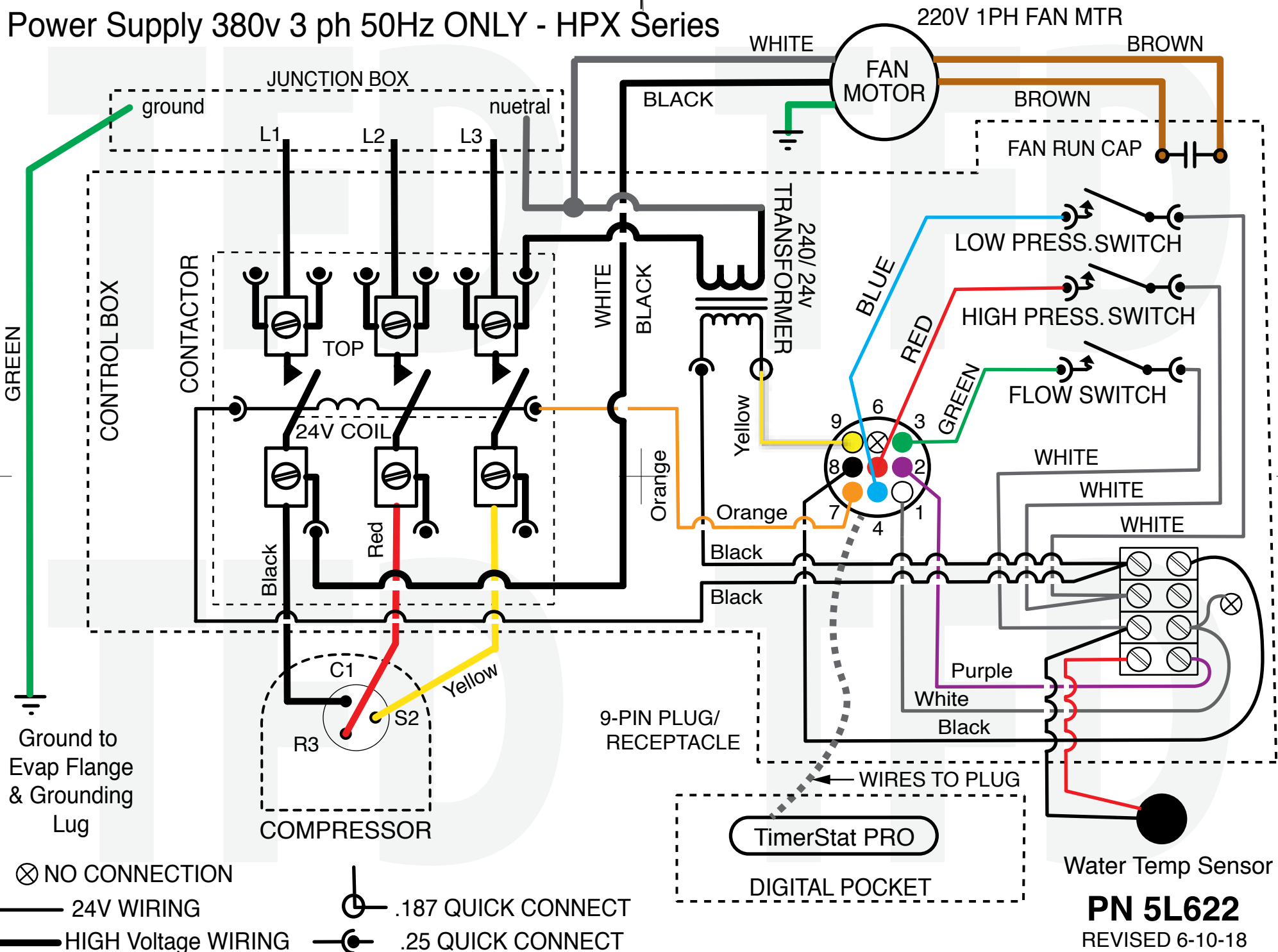


Power Supply 220v 3 ph 60Hz ONLY - HP3 Series



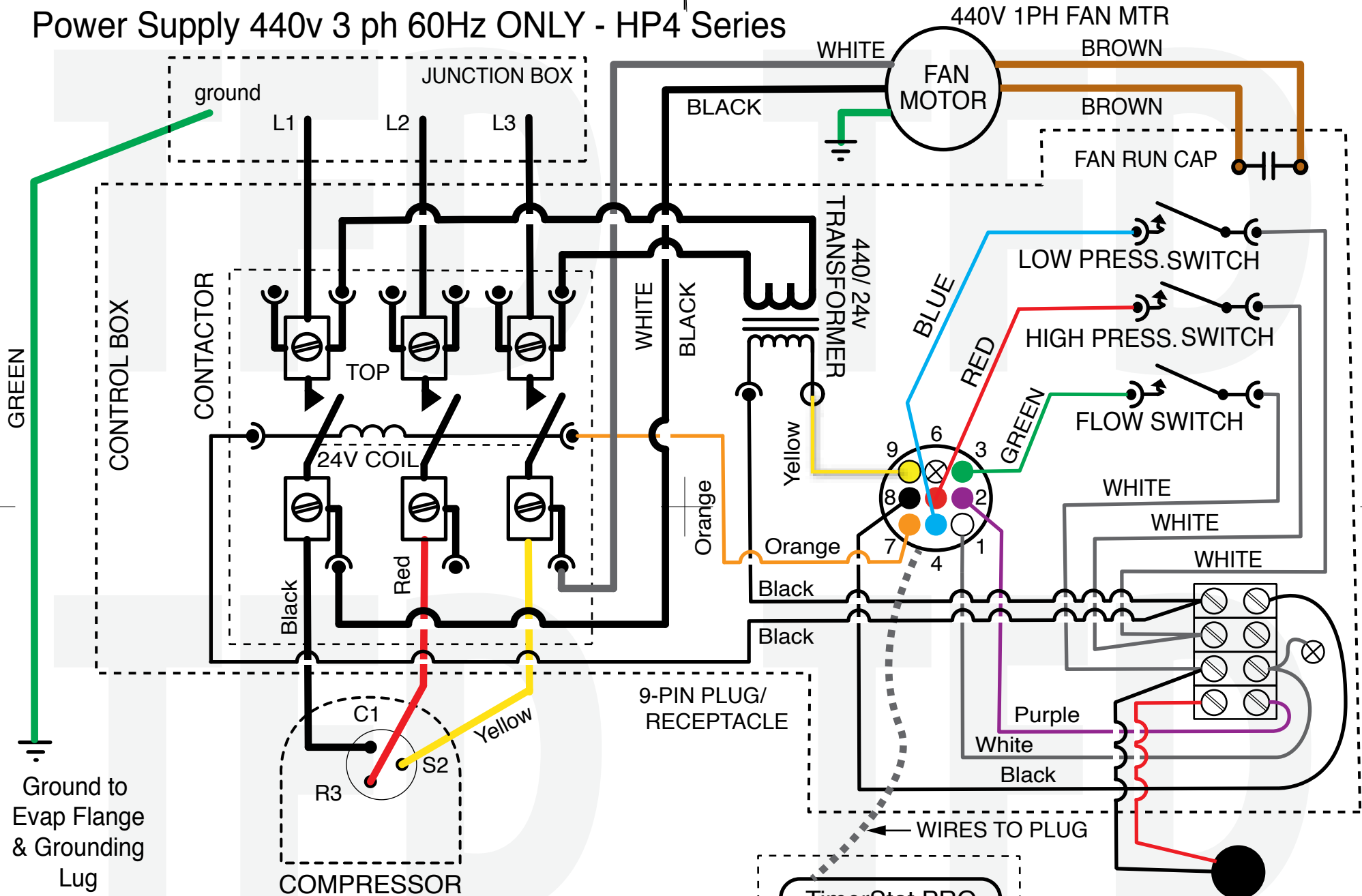
PN 5L623
REVISED 6-10-18

Power Supply 380v 3 ph 50Hz ONLY - HPX Series



PN 5L622
REVISED 6-10-18

Power Supply 440v 3 ph 60Hz ONLY - HP4 Series

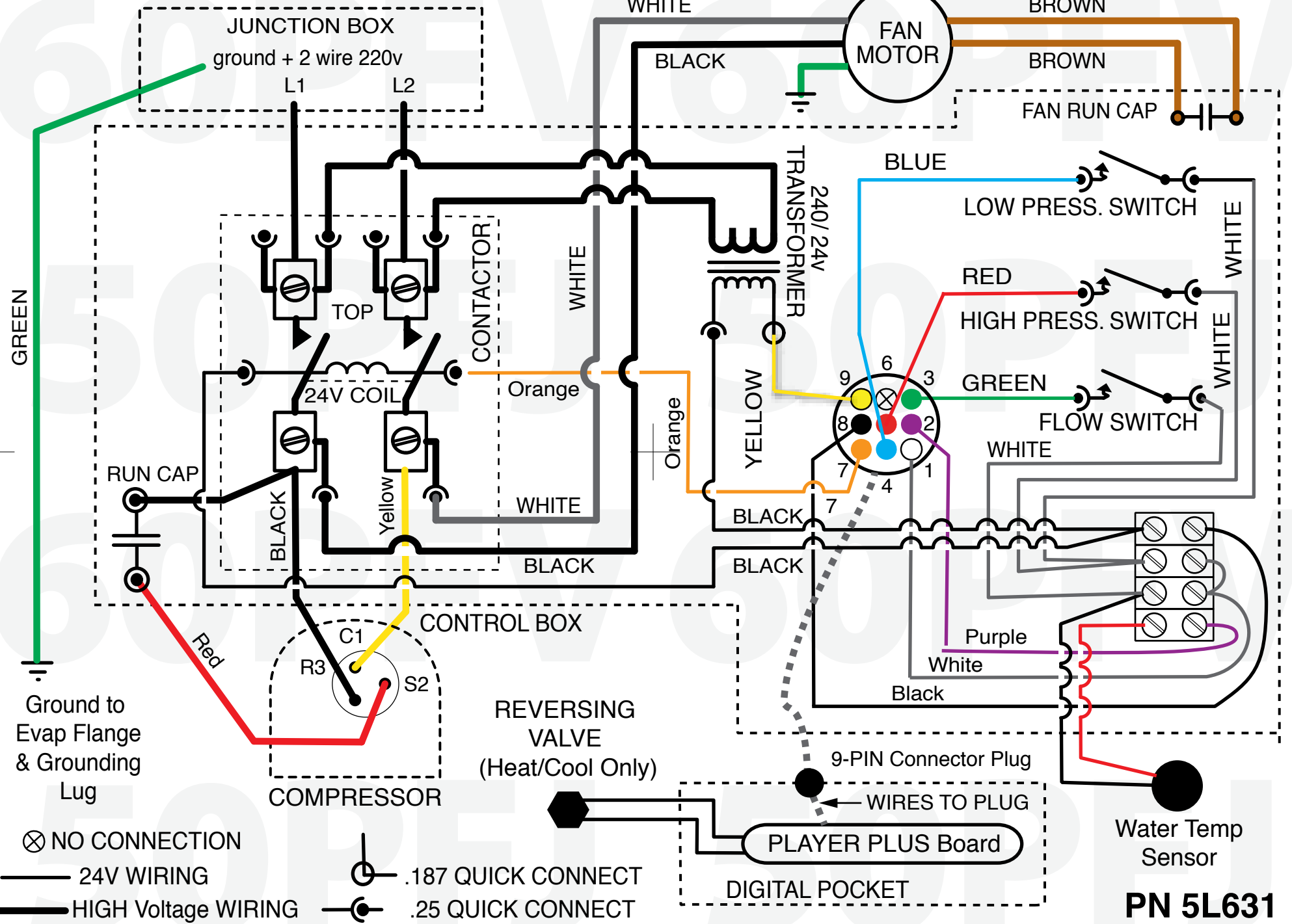


- ⊗ NO CONNECTION
- 24V WIRING
- HIGH Voltage WIRING
- ⊙ .187 QUICK CONNECT
- ⊙ .25 QUICK CONNECT

TimerStat PRO
DIGITAL POCKET

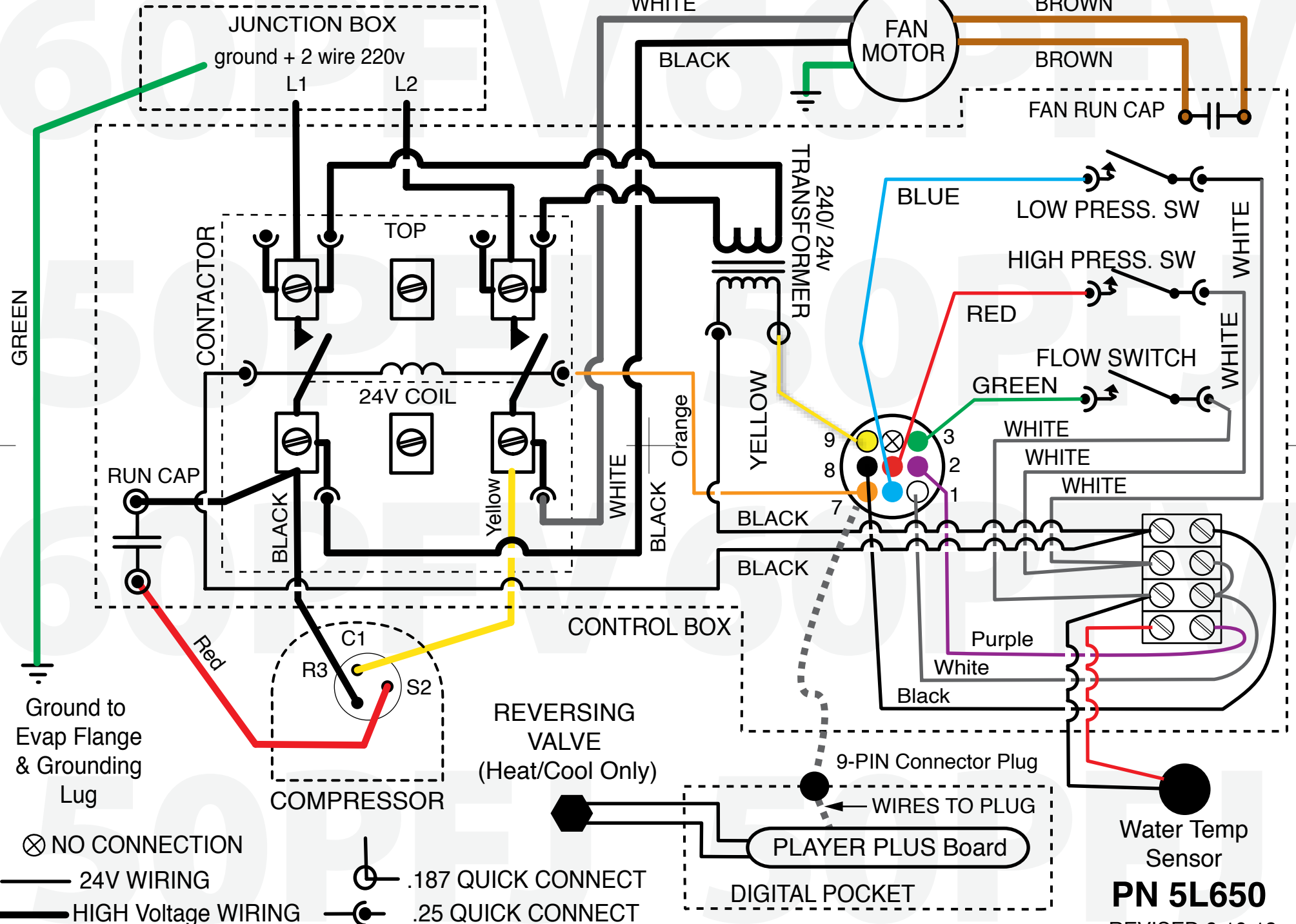
Water Temp Sensor
PN 5L624
REVISED 6-10-18

Power Supply 208/240v 1 ph 50/60 Hz



PN 5L631
REVISED 6-10-18

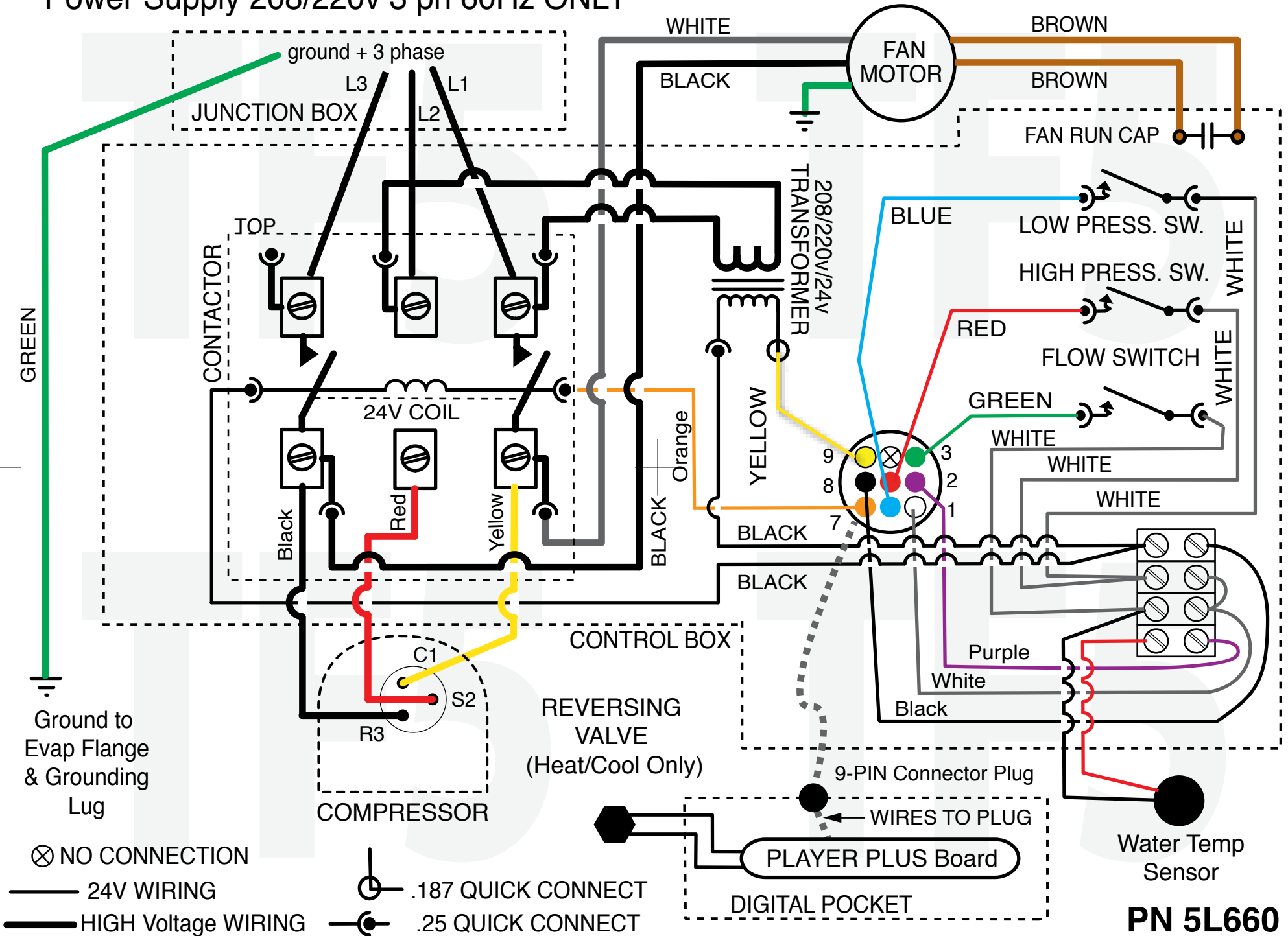
Power Supply 208/240v 1 ph 50/60 Hz



- ⊗ NO CONNECTION
- 24V WIRING
- HIGH Voltage WIRING
- ⊕ .187 QUICK CONNECT
- ⊙ .25 QUICK CONNECT

PN 5L650
REVISED 6-10-18

Power Supply 208/220v 3 ph 60Hz ONLY

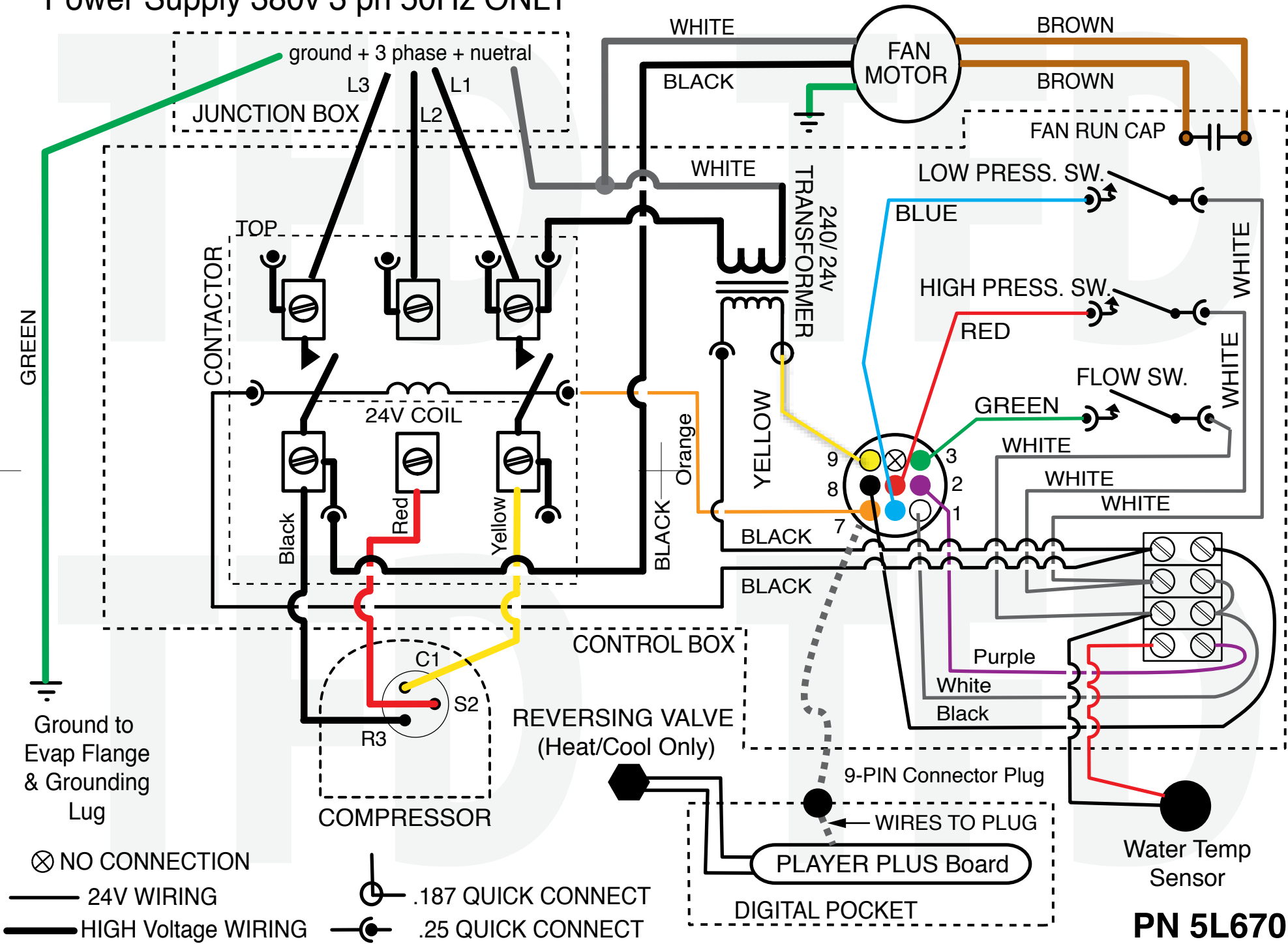


PN 5L660

REVISED 7-17-17

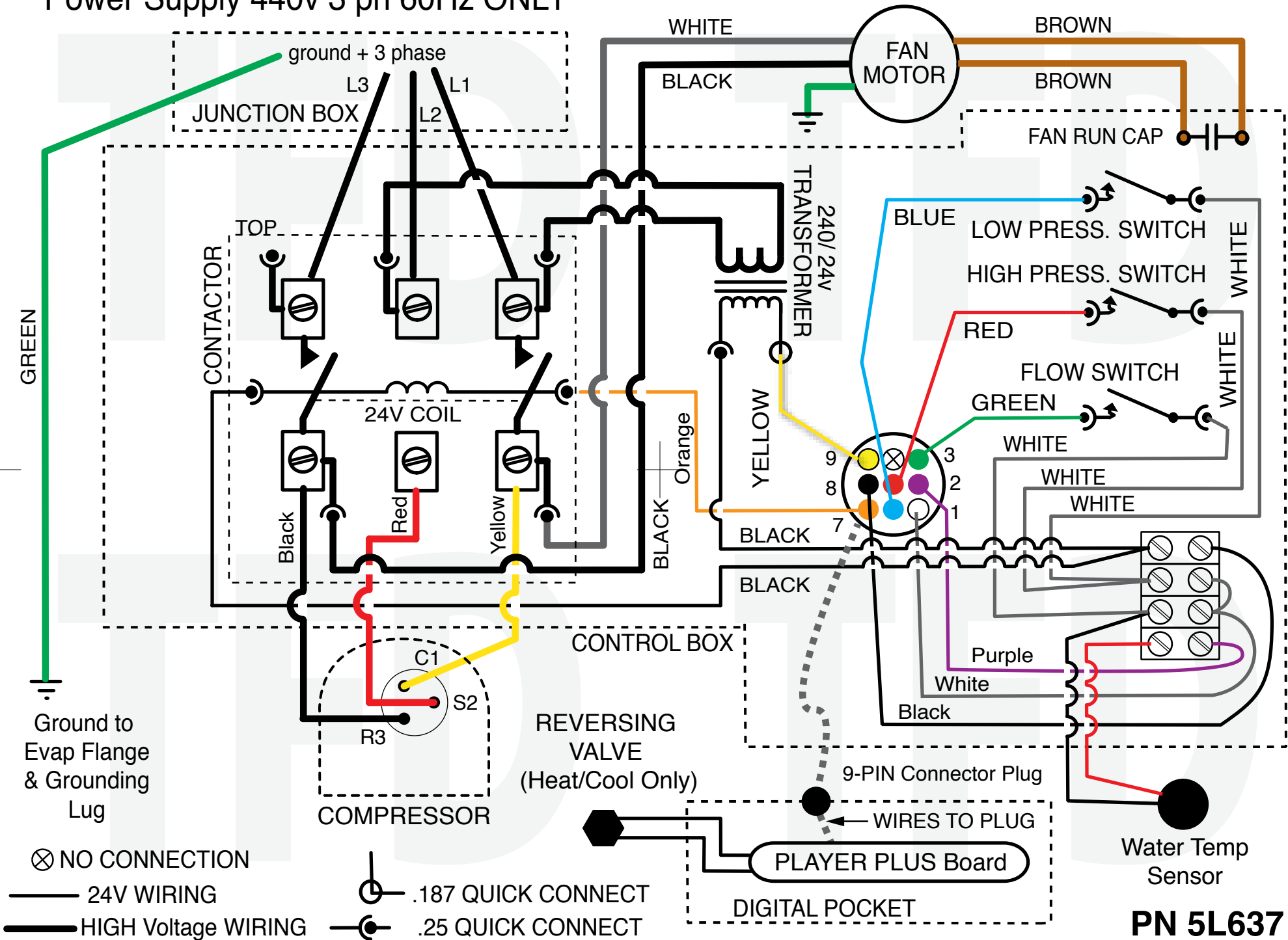
Power Supply 380v 3 ph 50Hz ONLY

220V 1PH FAN MTR



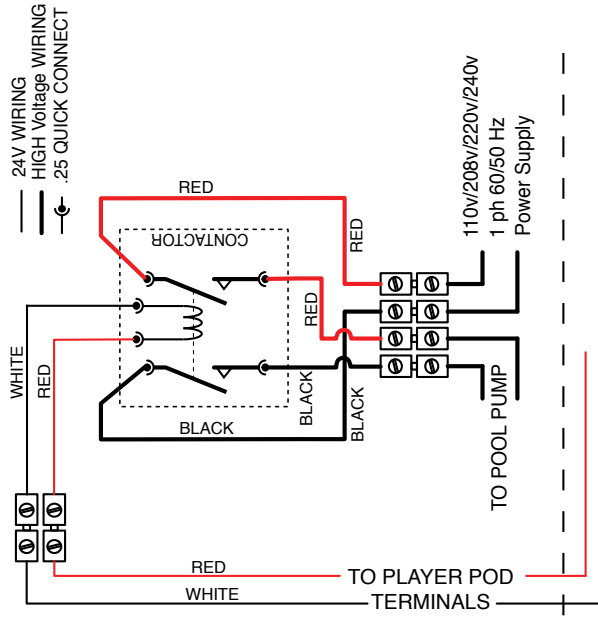
PN 5L670
REVISED 7-17-17

Power Supply 440v 3 ph 60Hz ONLY

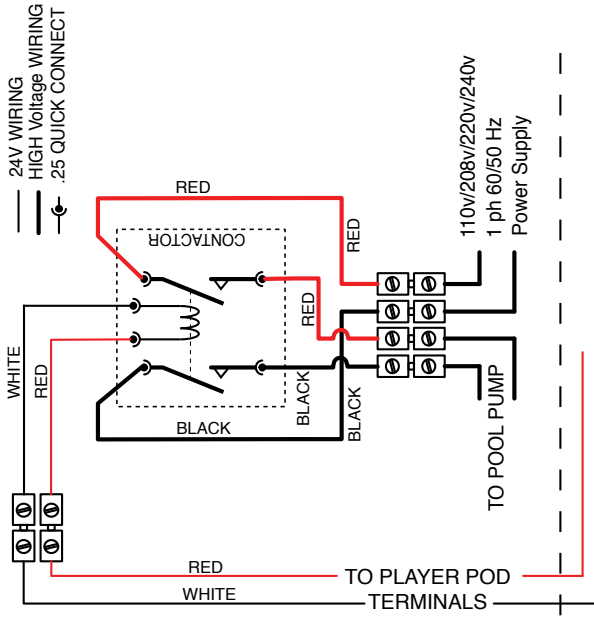


PN 5L637
REVISED 6-10-18

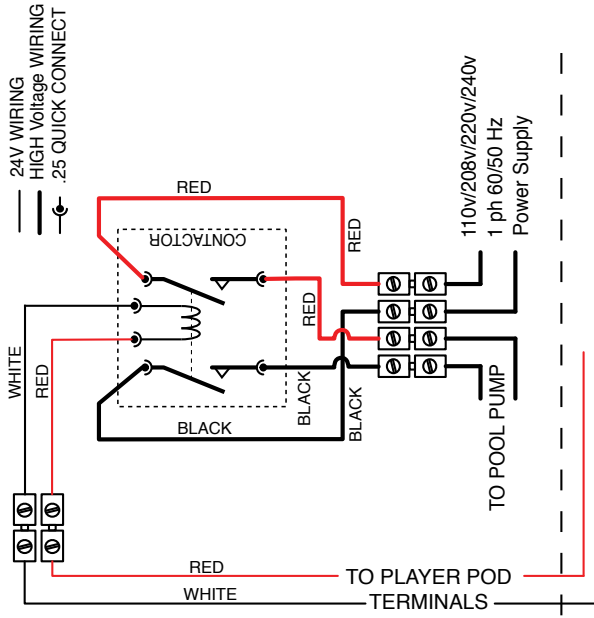
J-POD INTERNAL WIRING DIAGRAM



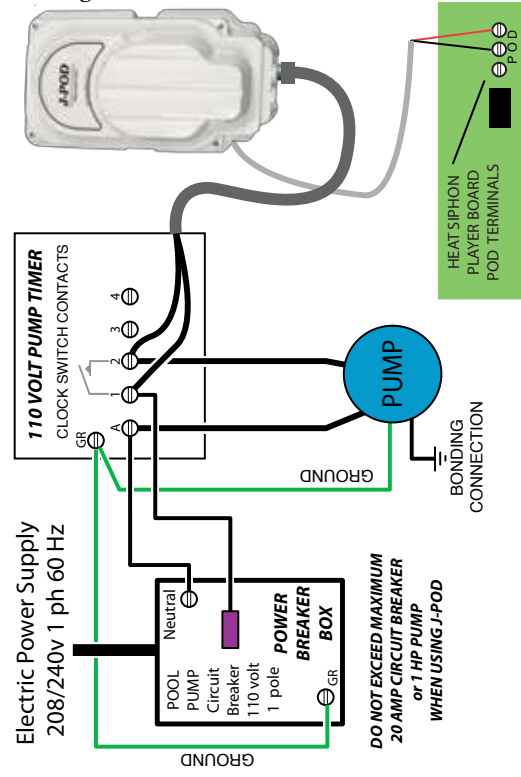
J-POD INTERNAL WIRING DIAGRAM



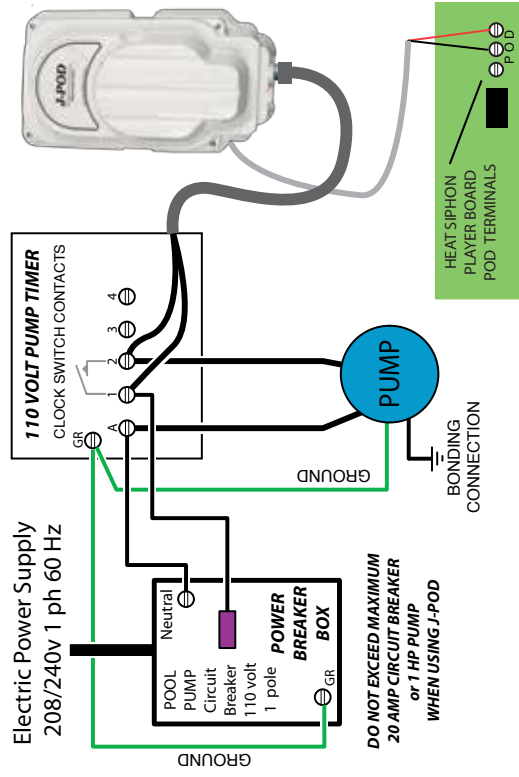
J-POD INTERNAL WIRING DIAGRAM



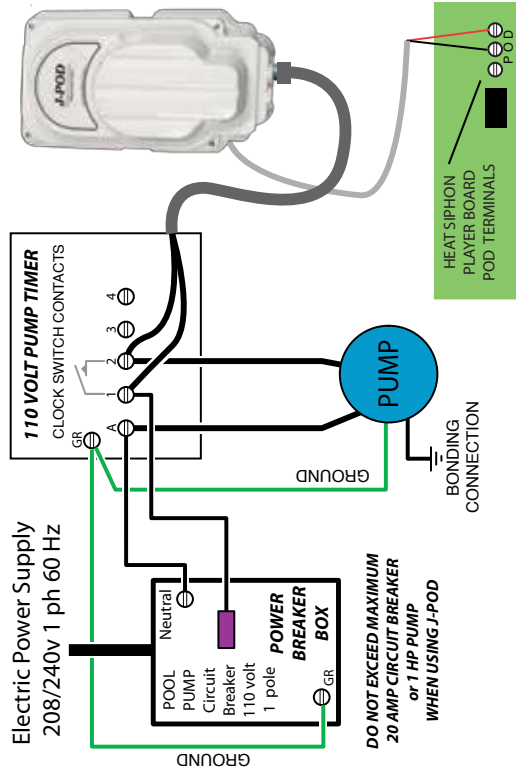
INSTALLATION DRAWING



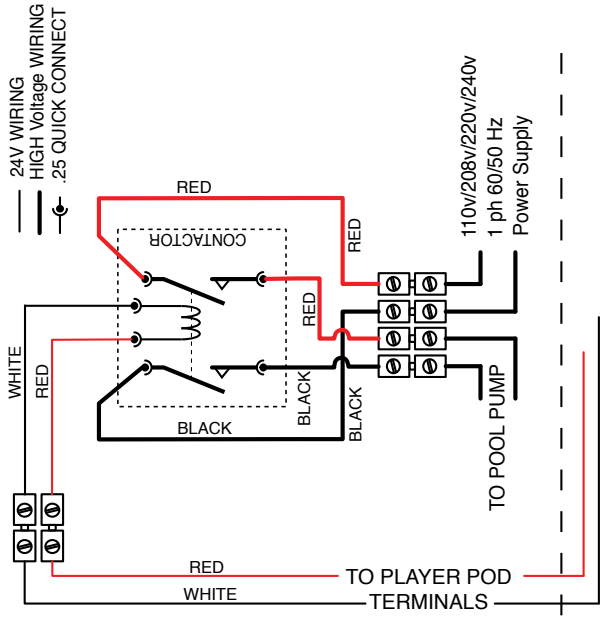
INSTALLATION DRAWING



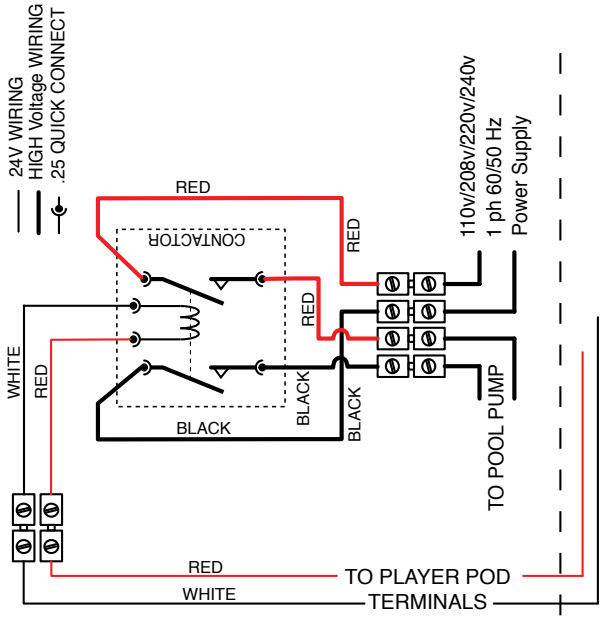
INSTALLATION DRAWING



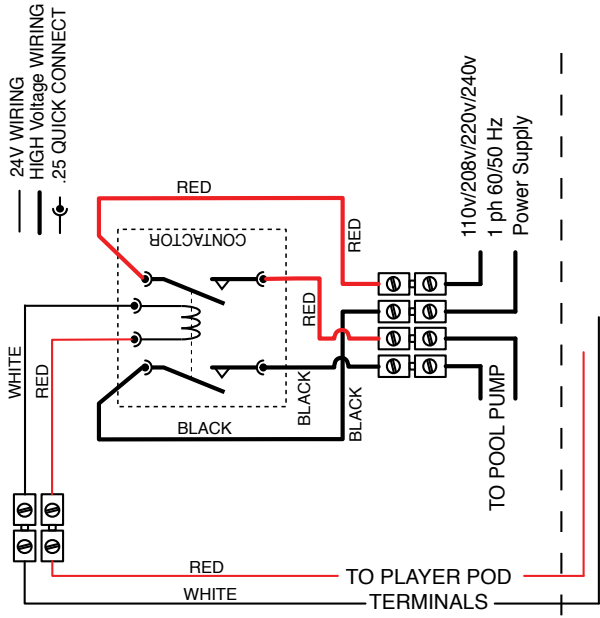
J-POD INTERNAL WIRING DIAGRAM



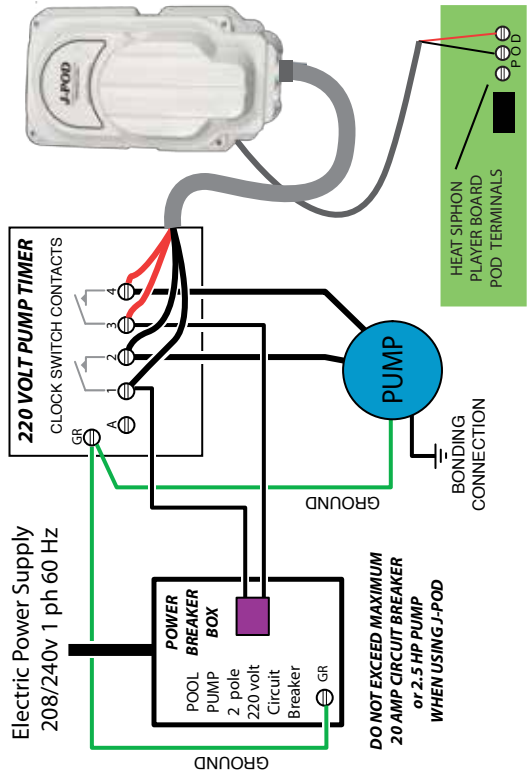
J-POD INTERNAL WIRING DIAGRAM



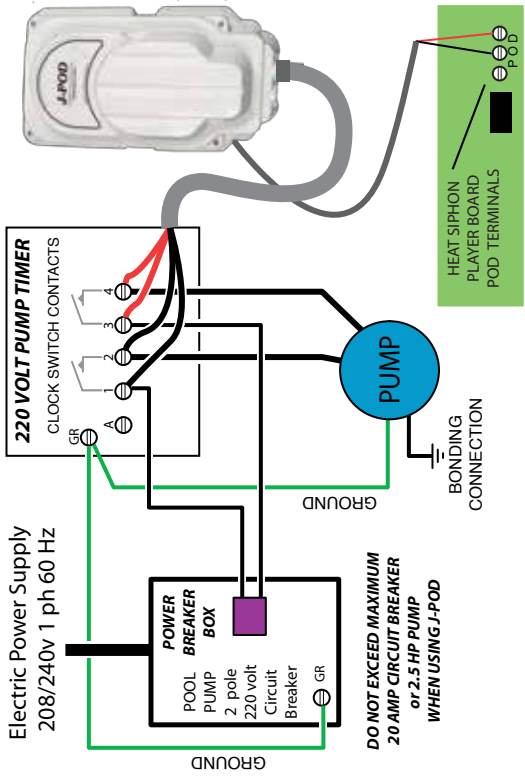
J-POD INTERNAL WIRING DIAGRAM



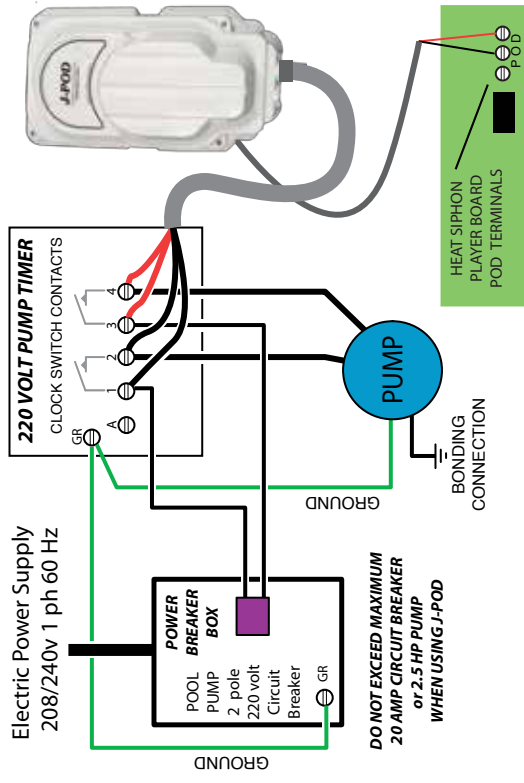
INSTALLATION DRAWING



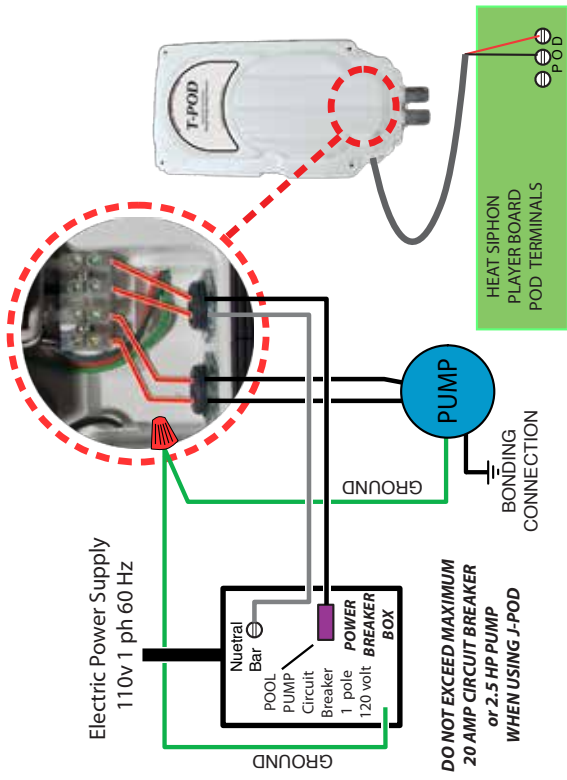
INSTALLATION DRAWING



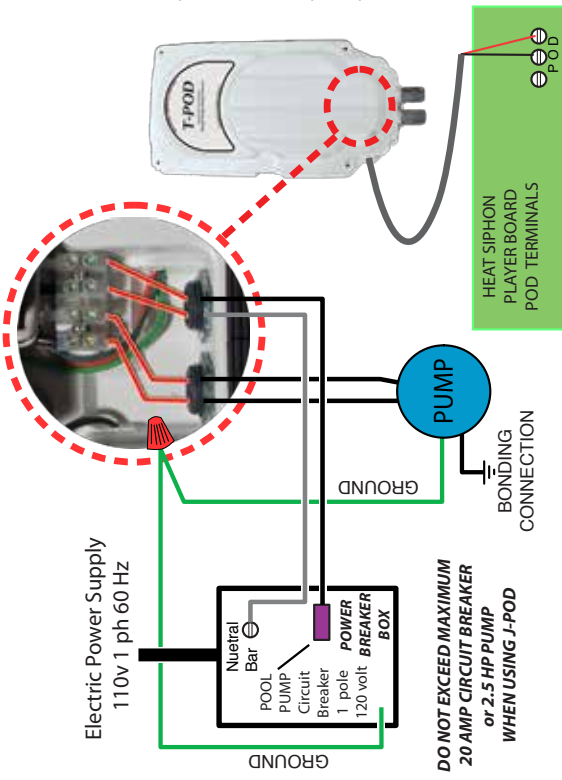
INSTALLATION DRAWING



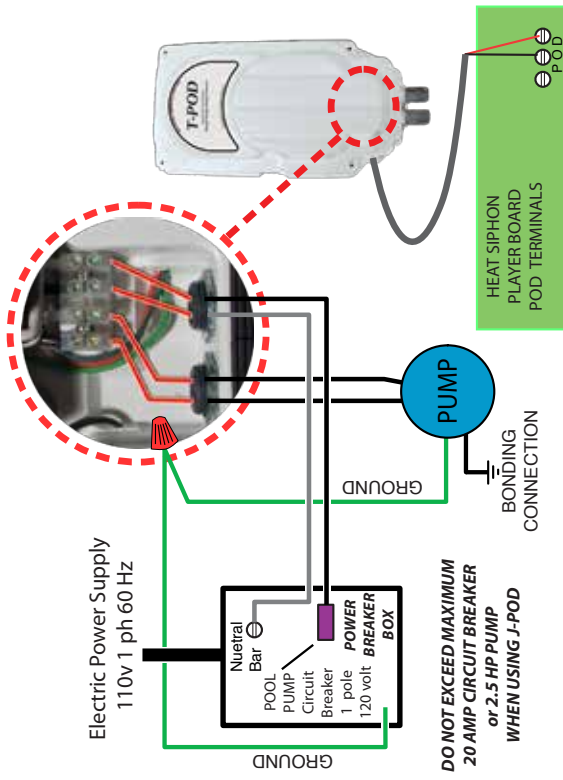
INSTALLATION DRAWING 110v T-POD



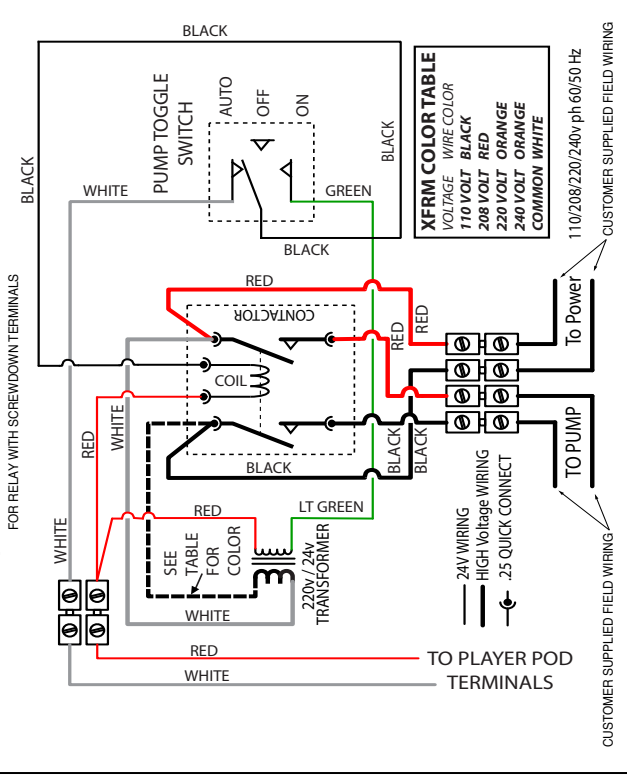
INSTALLATION DRAWING 110v T-POD



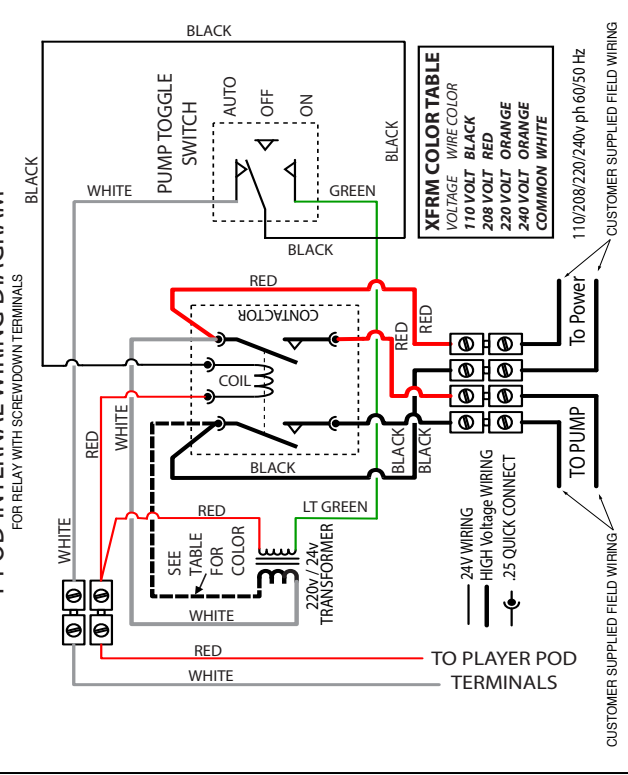
INSTALLATION DRAWING 110v T-POD



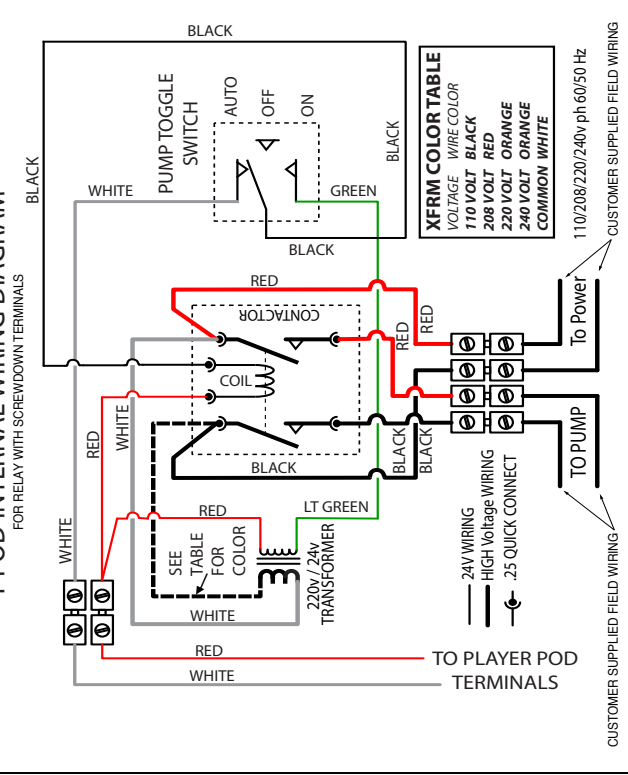
T-POD INTERNAL WIRING DIAGRAM



T-POD INTERNAL WIRING DIAGRAM

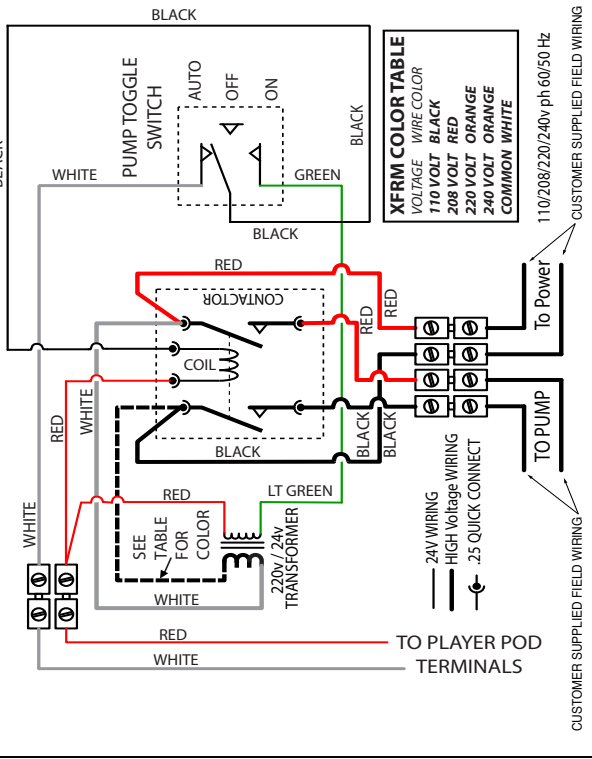


T-POD INTERNAL WIRING DIAGRAM



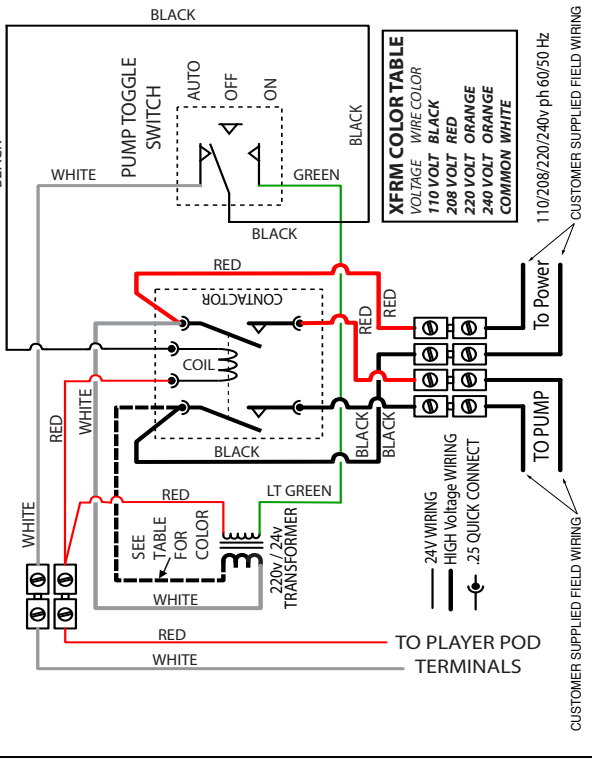
T-POD INTERNAL WIRING DIAGRAM

FOR RELAY WITH SCREWDOWN TERMINALS



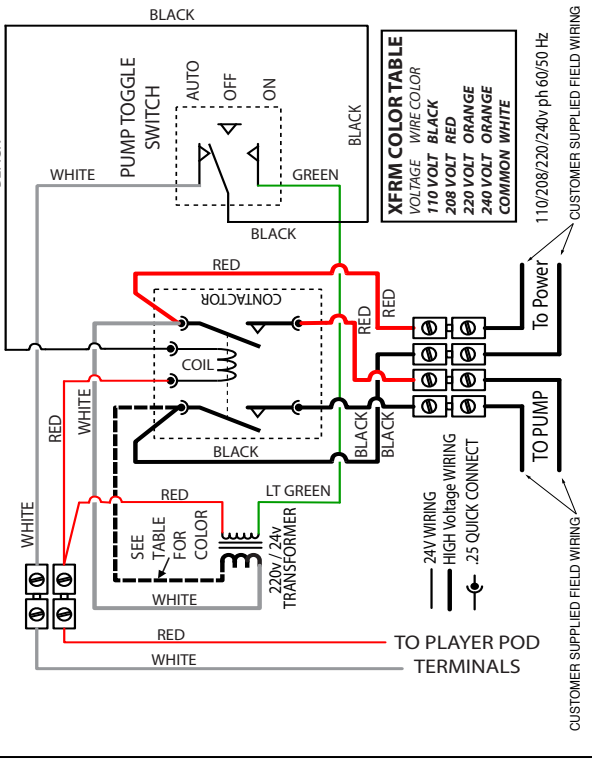
T-POD INTERNAL WIRING DIAGRAM

FOR RELAY WITH SCREWDOWN TERMINALS

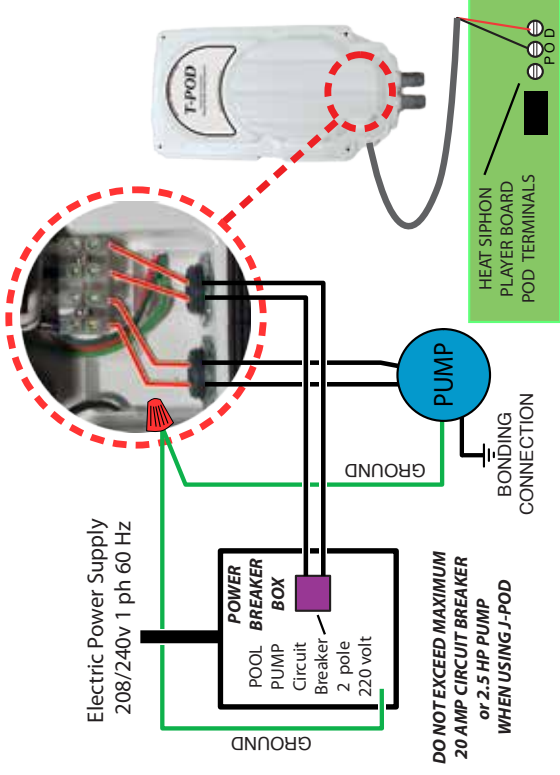


T-POD INTERNAL WIRING DIAGRAM

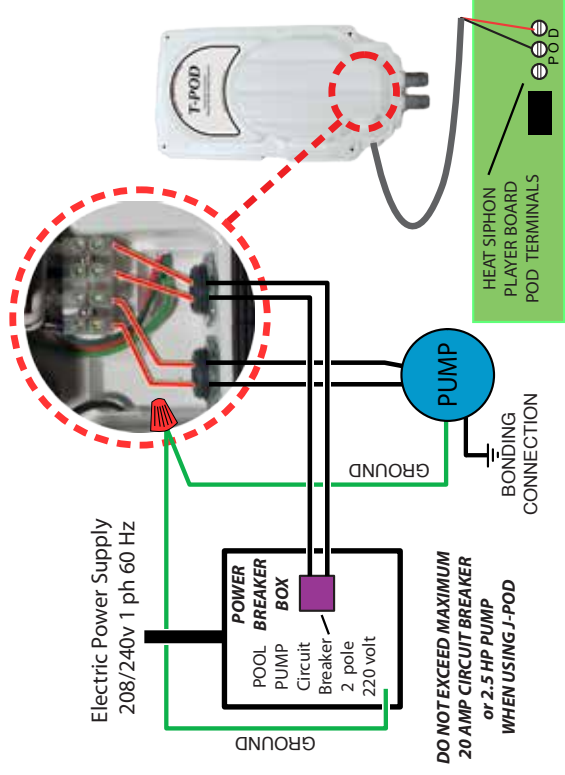
FOR RELAY WITH SCREWDOWN TERMINALS



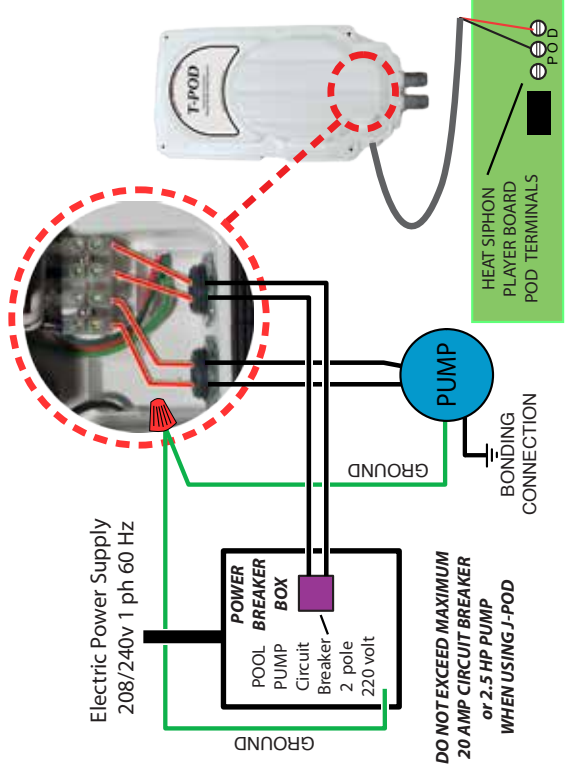
INSTALLATION DRAWING 220v T-POD



INSTALLATION DRAWING 220v T-POD



INSTALLATION DRAWING 220v T-POD



Wiring Diagram

Document Revision Record

This is a record of all revisions to this Wiring Diagram Document:

REV DATE Description of Changes

A 5-14-19 New Issue