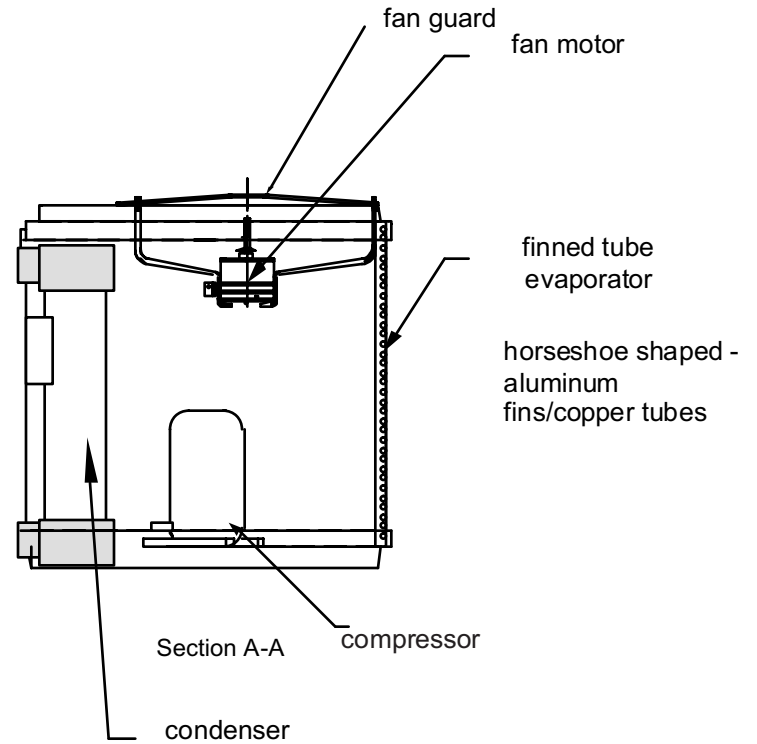
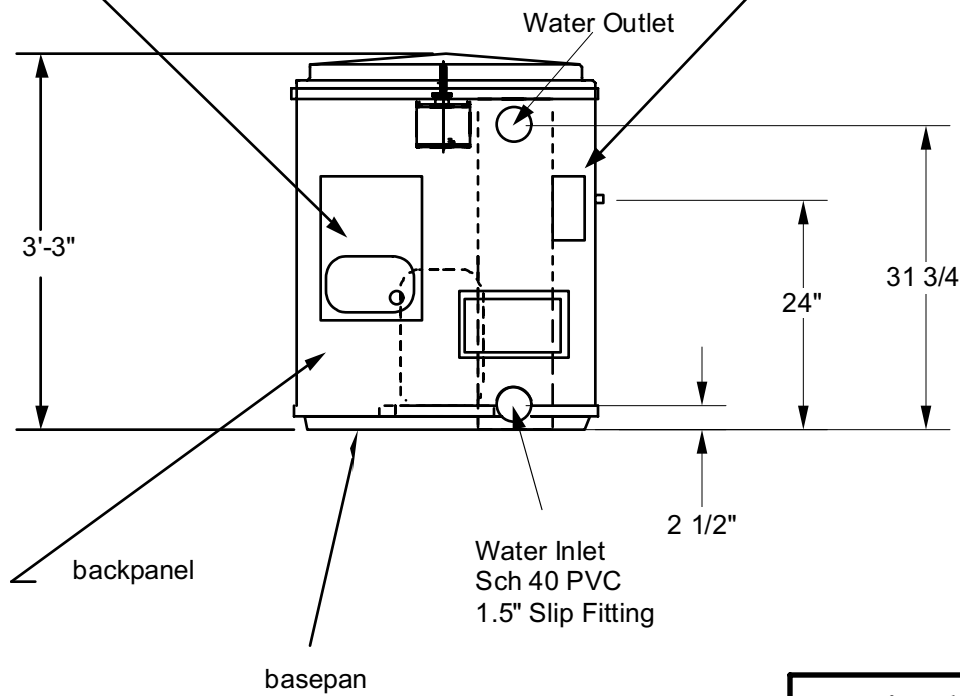
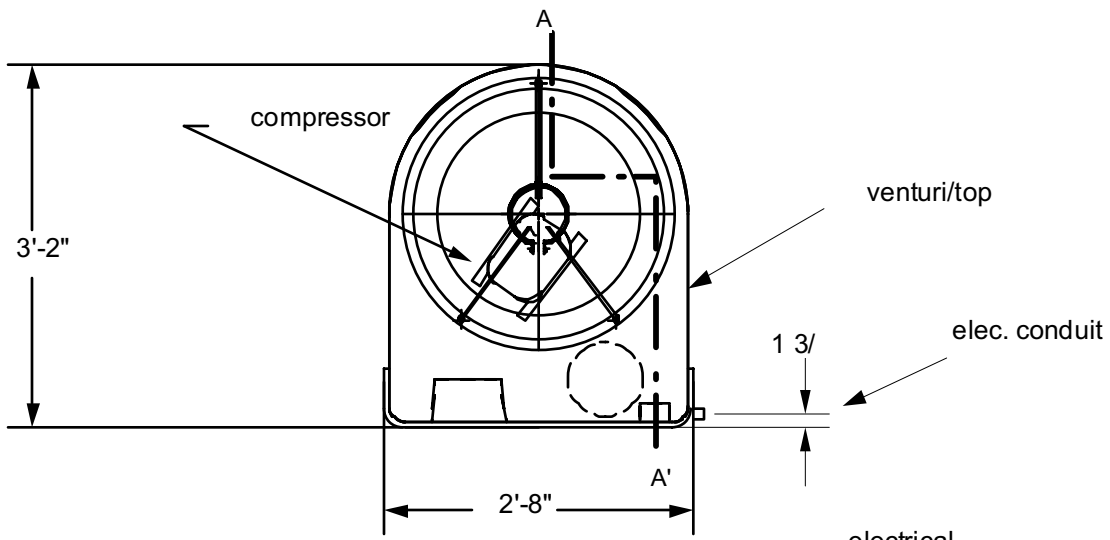


top view fan motor  
blade and guard not  
shown for clarity

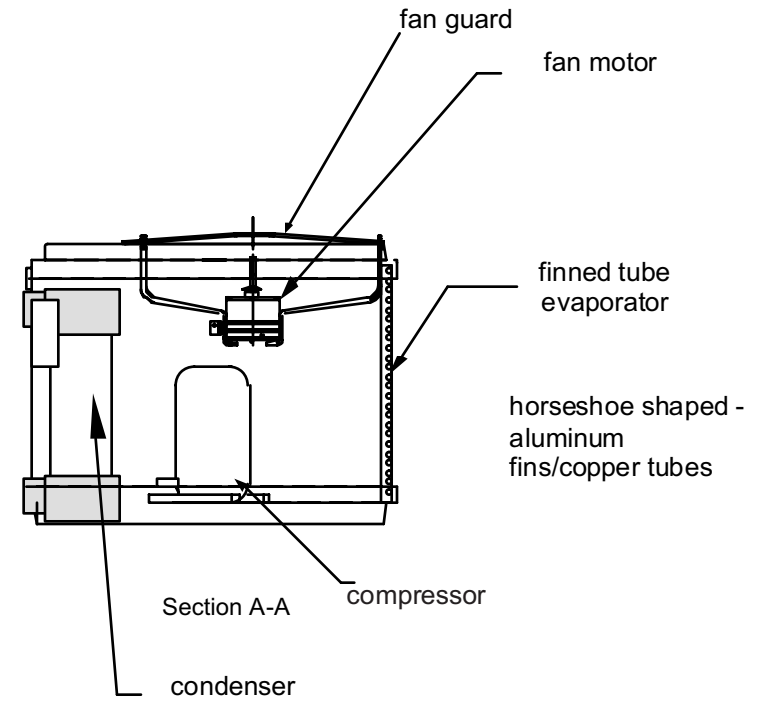
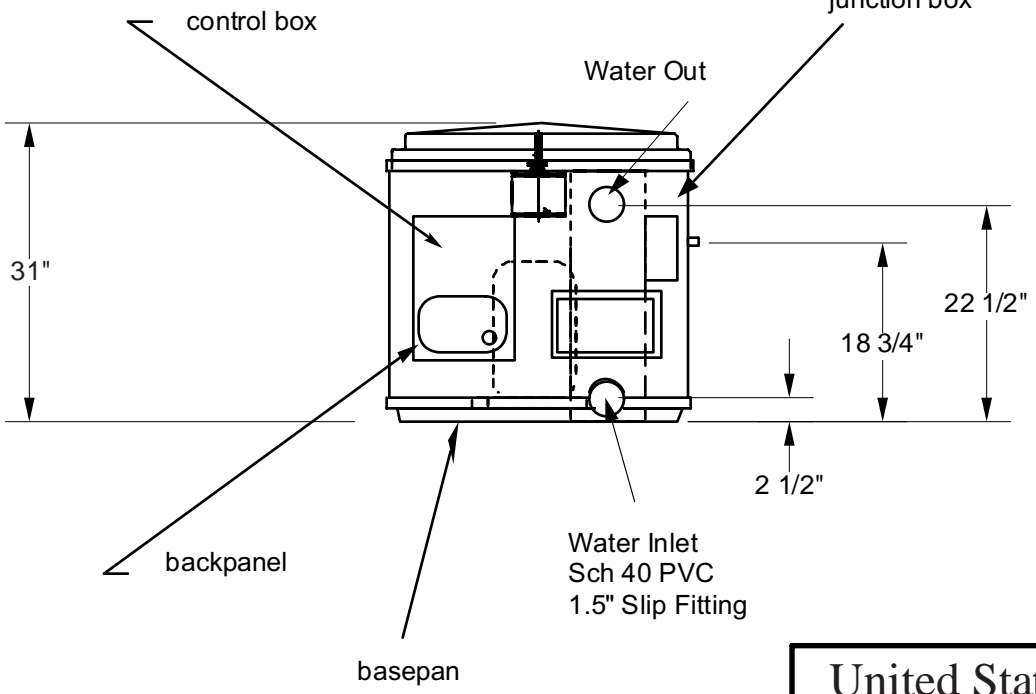


Above Dimensions for Models: 3.25HP, SX3.25HP, 5HP, SX5HP ONLY

<b>United States ThermoAmp Inc.</b> 1223 Walnut Street • Latrobe, Pennsylvania, USA 15650 • 724-537-3500		SHEET <b>1 of 2</b>	Rev. <b>A</b>
TITLE <b>UNIT LAYOUT</b>	DRAWN BY <i>WPB</i>	DRAWING NUMBER <b>061102</b>	DATE <b>6/11/02</b>



top view fan motor  
blade and guard  
not shown for clarity



Above Dimensions for Models: 2.25HP, 2.25HPX ONLY

<b>United States ThermoAmp Inc.</b> 1223 Walnut Street • Latrobe, Pennsylvania, USA 15650 • 724-537-3500		SHEET <b>2 of 2</b>	Rev. <b>B</b>
TITLE <b>UNIT LAYOUT</b>	DRAWN BY <i>WPB</i>	DRAWING NUMBER <b>061102</b>	DATE <b>11/4/02</b>