

HEAT SIPHON® Wiring Diagrams All Model Compilation

NOTICE:

The following set of wiring diagrams are the latest available at the time of this publication, but may not represent the current effective revision and are being published herein for INFORMATIONAL PURPOSES ONLY. If you are in doubt call the factory.

Unless marked as "reversing" all diagrams apply to heating only and/or cooling only models.



*Copyright 2011
ALL RIGHTS RESERVED*

*Published By
United States ThermoAmp Inc.
1223 Heat Siphon Lane
Latrobe, PA 15650
724-537-3500*

*Revision D
Issued 5/2/2011*

Wiring Diagram Contents

Heat Siphon Wiring Diagrams

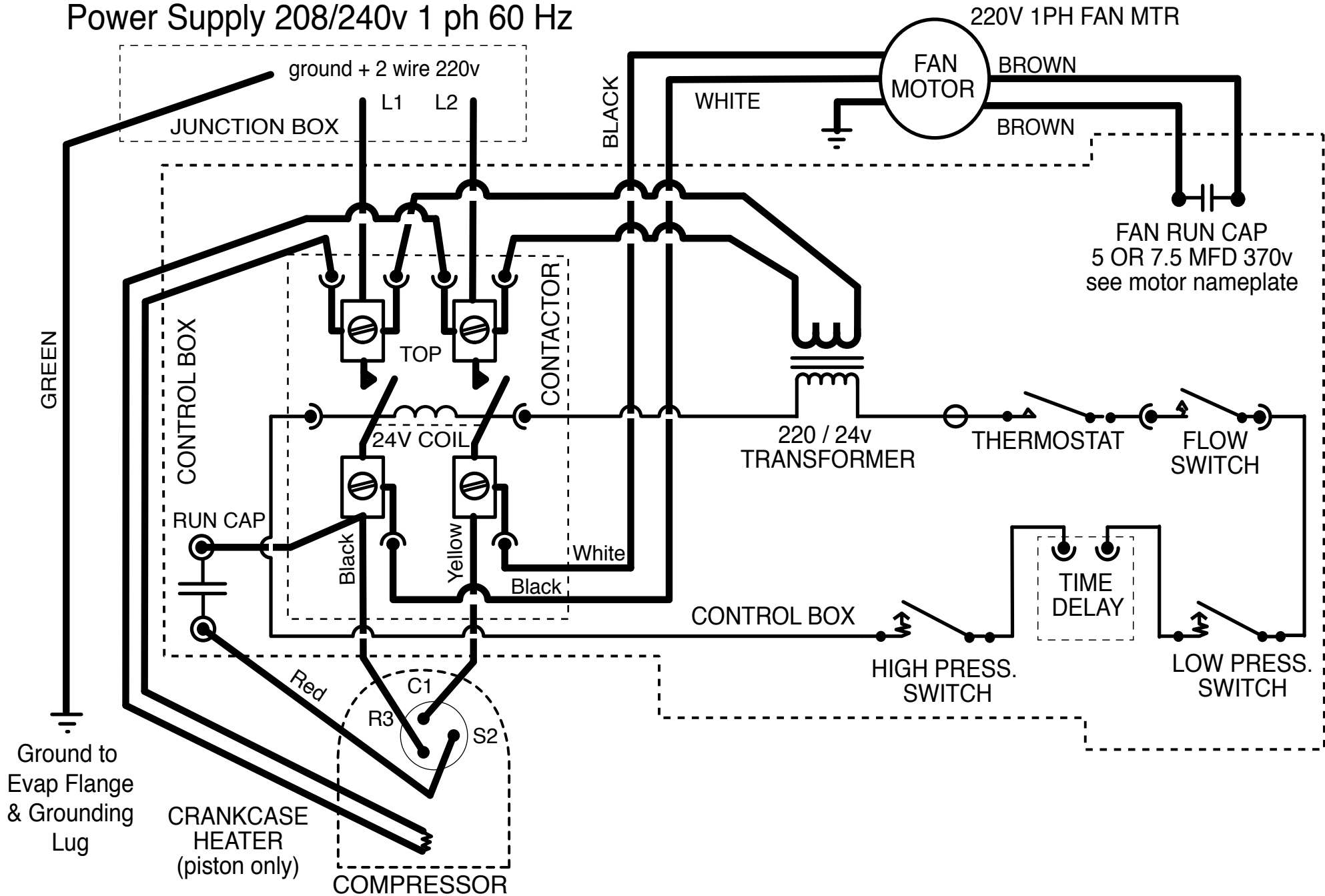
Analog-Series	3
Analog-Time Delay 208/240v 1 Phase 60 Hz w/Pressure Switch.....	3
Analog-Time Delay 220/240v 1 Phase 50 Hz w/Pressure Switch.....	4
Analog-Time Delay 208/220v 3 Phase 60 Hz 3 wire w/Pressure Switch	5
Analog-Time Delay 380v 3 Phase 50 Hz 5 wire w/Pressure Switch	6
Analog-Time Delay 380v 3 Phase 50 Hz 5 wire w/Pressure Switch & 380v xfrm.....	7
Analog-Time Delay 440v 3 Phase 60 Hz 3 wire w/Pressure Switch & 480v xfrm.....	8
Contractor -Series	9
Analog-Timerstat - 208/240v 1 Phase 60 Hz w/Pressure Switch & 2 Pole Contactor.....	9
Analog-Timerstat - 208/240v 1 Phase 60 Hz w/Pressure Switch & 3 Pole Contactor.....	10
Analog-Timerstat - 220/240v 1 Phase 50 Hz w/Pressure Switch.....	11
Analog-Timerstat - 208/220v 3 Phase 60 Hz 3 wire w/Pressure Switch	12
Analog-Timerstat - 380v 3 Phase 50 Hz 5 wire w/Pressure Switch & 220v xfrm	13
Analog-Timerstat - 380v 3 Phase 50 Hz 5 wire w/Pressure Switch & 380v xfrm	14
Analog-Timerstat - 440v 3 Phase 60 Hz 3 wire w/Pressure Switch & 440v xfrm	15
Analog-Timerstat - 440v 3 Phase 60 Hz 5 wire w/Pressure Switch & 220v xfrm	16
Analog-Timerstat - 440/380v 3 Phase 60/50 Hz 5 wire w/Pressure Switch & 220v xfrm	17
Digital-Series	18
Digital - 208/240v 1 Phase 60 Hz Reversing w/Pressure Switch & 3 Pole Contactor.....	18
Digital - 208/240v 1 Phase 60 Hz Reversing w/Pressure Switch & 2 Pole Contactor	19
Digital - 220/240v 1 Phase 50 Hz Reversing w/Pressure Switch	20
Digital - 220v 3 Phase 60 Hz Reversing w/Pressure Switch	21
Digital - 380v 3 Phase 50 Hz 5 wire Reversing w/Pressure Switch.....	22
Digital - 380v 3 Phase 50 Hz 5 wire Reversing w/Pressure Switch & 380v xfrm	23
Digital - 440v 3 Phase 60 Hz 3 wire Reversing w/Pressure Switch & 480v xfrm.....	24
Digital - 440/380v 3 Phase 60/50 Hz 5 wire Reversing w/Pressure Switch & 220v xfrm.....	25
Digital - 208/240v 1 Phase 60 Hz Reversing w/Flow Sensor & 3 Pole Contactor	26
Digital - 208/240v 1 Phase 60 Hz Reversing w/Flow Sensor & 2 Pole Contactor	27
Digital - 220/240v 1 Phase 50 Hz Reversing w/Flow Sensor.....	28
Digital - 220v 3 Phase 60 Hz Reversing w/Flow Sensor.....	29
Digital - 380v 3 Phase 50 Hz 5 wire Reversing w/Flow Sensor	30
Digital - 380v 3 Phase 50 Hz 5 wire Reversing w/Flow Sensor & 380v xfrm	31
Digital - 440v 3 Phase 60 Hz 3 wire Reversing w/Flow Sensor & 480v xfrm.....	32
Digital - 440/380v 3 Phase 60/50 Hz 5 wire Reversing w/Flow Sensor & 220v xfrm.....	33
Obsolete Wiring Diagrams.	34
OBSOLETE - Analog-Time Delay 380/440v 3 Phase 50/60 Hz 5 wire w/Pressure Switch.....	34
OBSOLETE - Analog-Time Delay 380/440v 3 Phase 50/60 Hz 3 wire w/Pressure Switch.....	35
OBSOLETE - Digital - 380/440v 3 Phase 50/60 Hz 5 wire w/Pressure Switch.....	36
OBSOLETE - Digital - 380/440v 3 Phase 50/60 Hz 3 wire w/Pressure Switch.....	37

OBSOLETE - Digital - 380/440v 3 Phase 50/60 Hz 3 wire w/Flow Sensor.....38

Accessories Wiring Diagrams

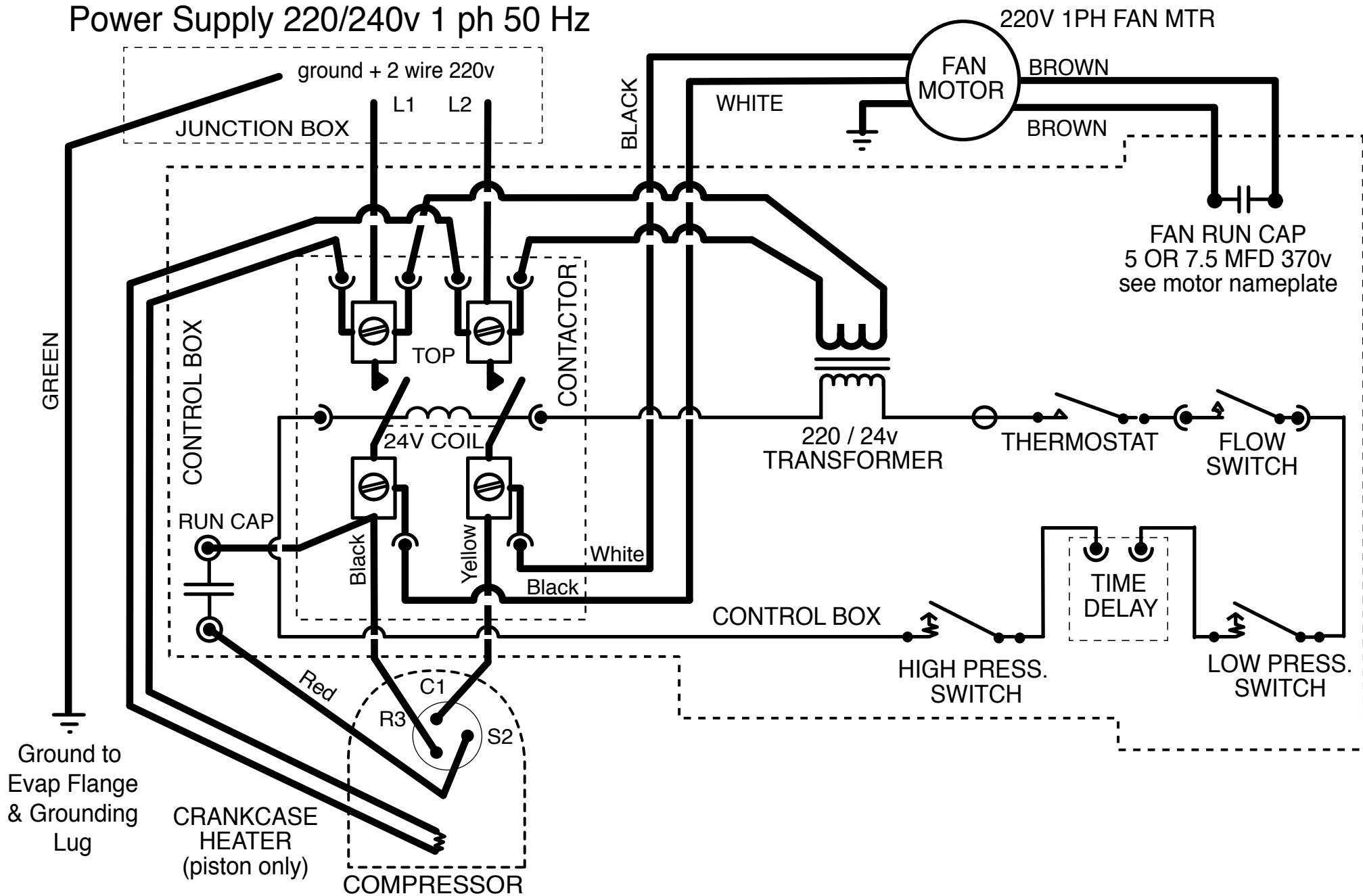
POD Digital Wired Controllers.	39
J-POD - Hard-Wired PumpJump Override - 110v 1 Phase 60 Hz	39
J-POD -Hard-Wired PumpJump Override - 220v 1 Phase 60 Hz	40
T-POD - Hard-Wired Pump Timer w/ PumpJump - 110v 1 Phase 60 Hz	41
T-POD - Hard-Wired Pump Timer w/ PumpJump - 220v 1 Phase 60 Hz	42
S-POD - Hard-Wired Pool/Spa Switching w/Pump Timer /PumpJump - 110v 1 Phase 60 Hz	43
S-POD - Hard-Wired Pool/Spa Switching w/Pump Timer /PumpJump - 220v 1 Phase 60 Hz	44
P-POD - Wireless Pump Controller - 220v 1 Phase 60 Hz	45
C-POD - Wireless Combo Pool/Spa Pump & Valve Controller - 220v 1 Phase 60 Hz.....	46
A-POD - Wireless Auxiliary Controller - 220v 1 Phase 60 Hz.....	47
Document Revision Record	48

Power Supply 208/240v 1 ph 60 Hz



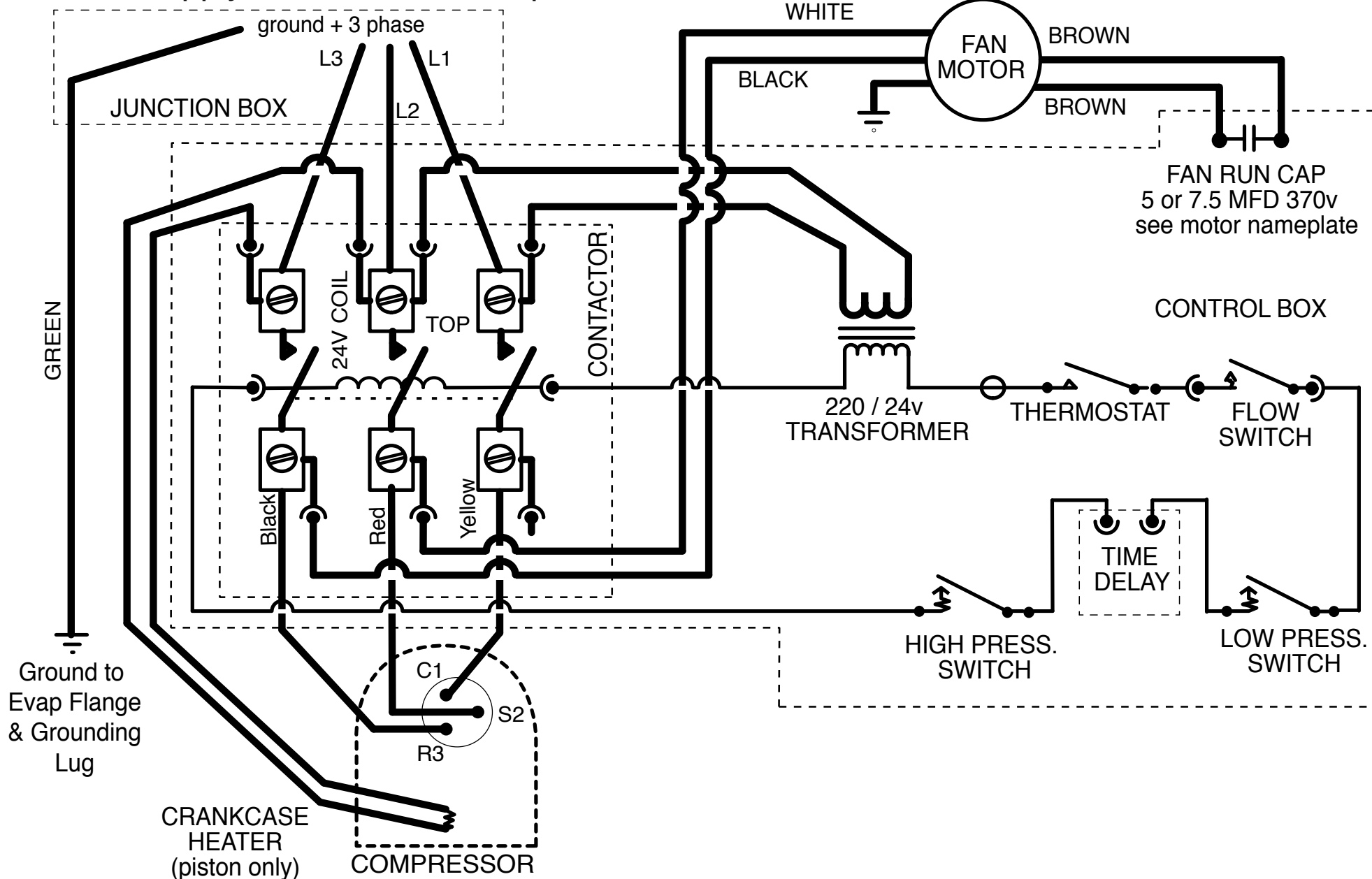
- 24V WIRING
- HIGH Voltage WIRING
- — .187 INSUL. QUICK CONNECT
- — .25 QUICK CONNECT

Power Supply 220/240v 1 ph 50 Hz





- 24V WIRING
- HIGH Voltage WIRING
- .187 INSUL. QUICK CONNECT
- .25 QUICK CONNECT

Power Supply 3 wire 208/220v 3 ph 60 Hz

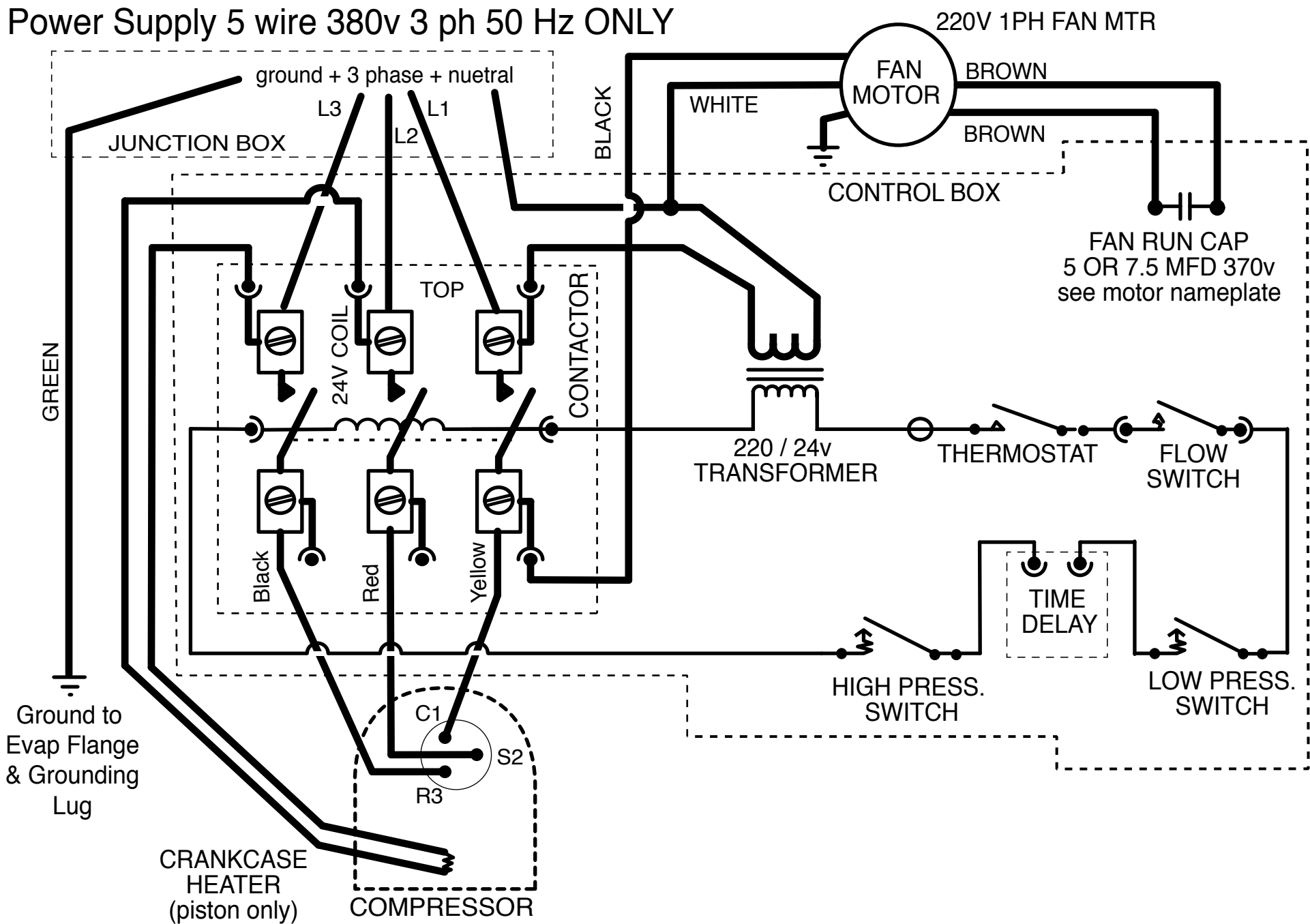


24V WIRING
 HIGH Voltage WIRING

 .187 INSUL. QUICK CONNECT
 .25 QUICK CONNECT

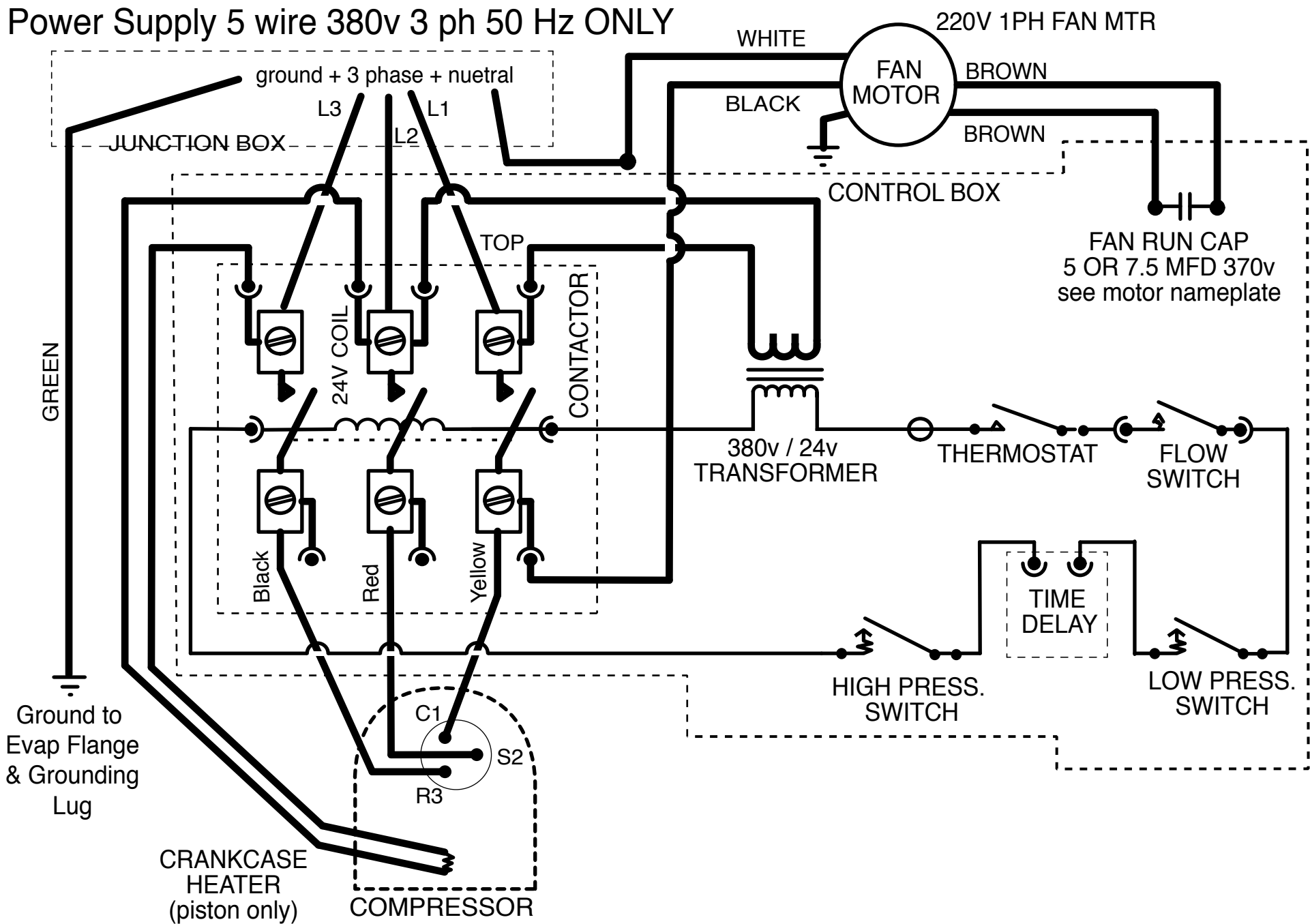
REVISED 3.22.05

Power Supply 5 wire 380v 3 ph 50 Hz ONLY



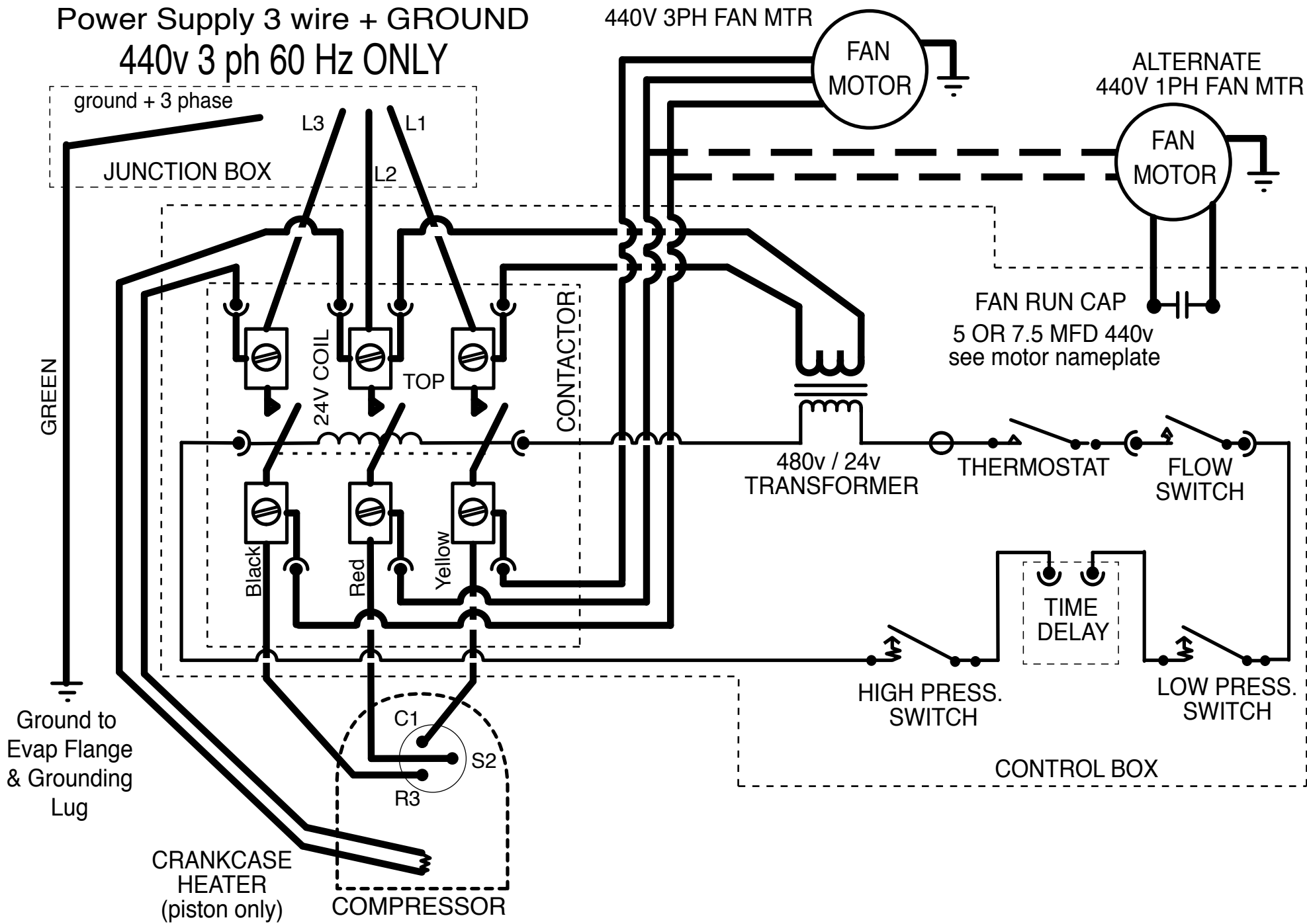
- 24V WIRING
- HIGH Voltage WIRING
- .187 INSUL. QUICK CONNECT
- .25 QUICK CONNECT

Power Supply 5 wire 380v 3 ph 50 Hz ONLY



- 24V WIRING
- HIGH Voltage WIRING
- .187 INSUL. QUICK CONNECT
- .25 QUICK CONNECT

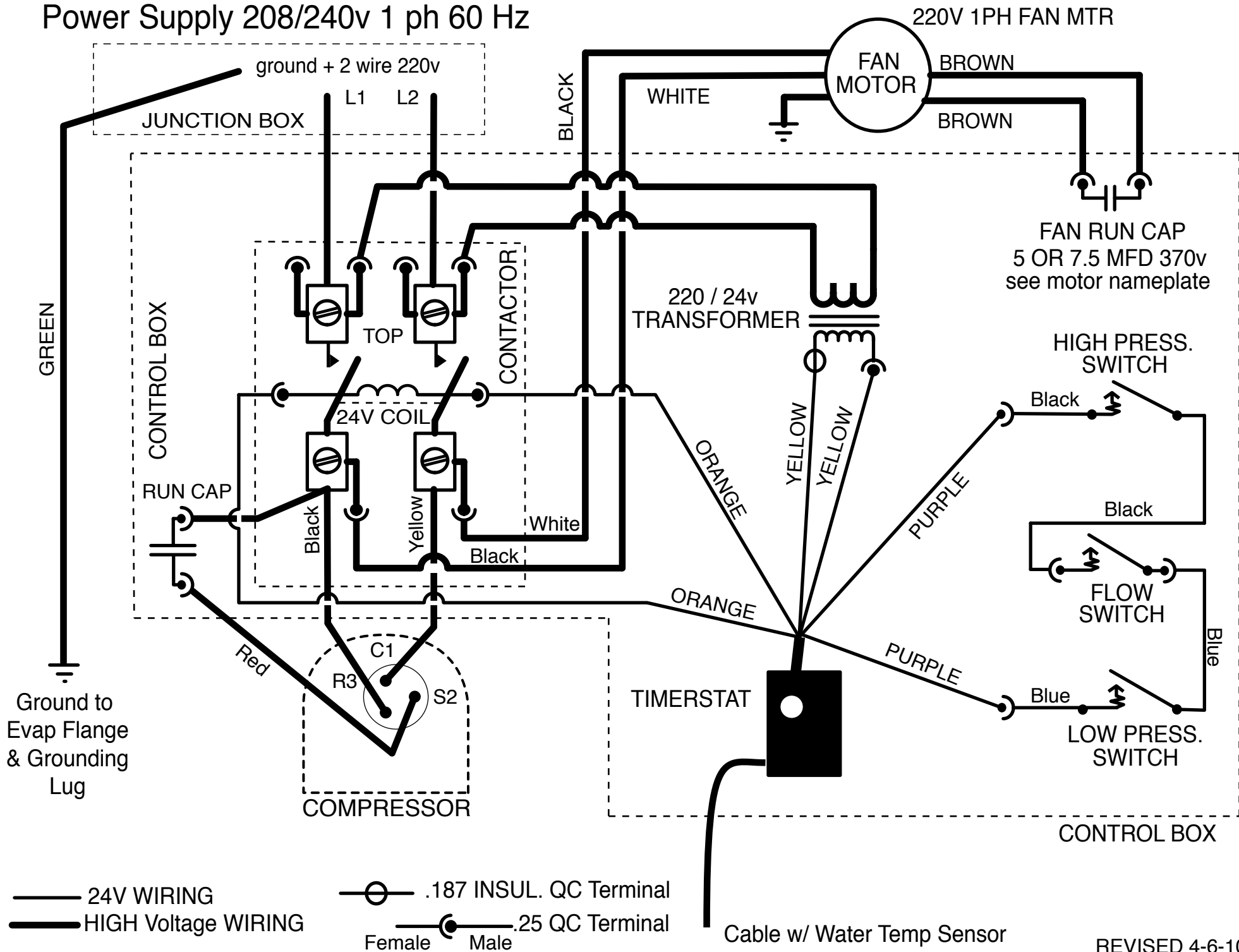
Power Supply 3 wire + GROUND 440v 3 ph 60 Hz ONLY







— 24V WIRING
 — HIGH Voltage WIRING

⊕ .187 INSUL. QUICK CONNECT
 ⊕ .25 QUICK CONNECT

Power Supply 208/240v 1 ph 60 Hz



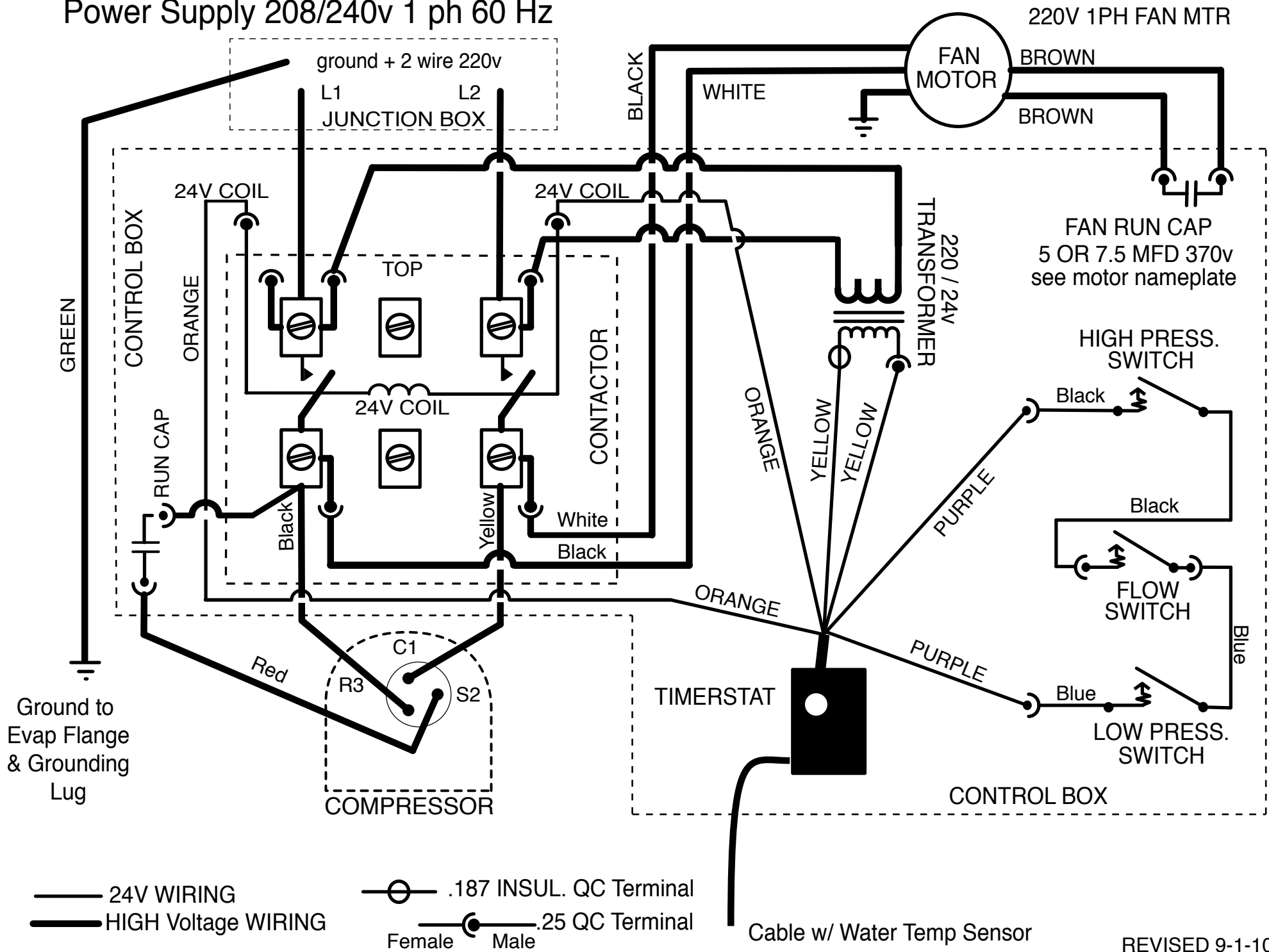
 24V WIRING
 HIGH Voltage WIRING

 .187 INSUL. QC Terminal
 .25 QC Terminal
 Female Male

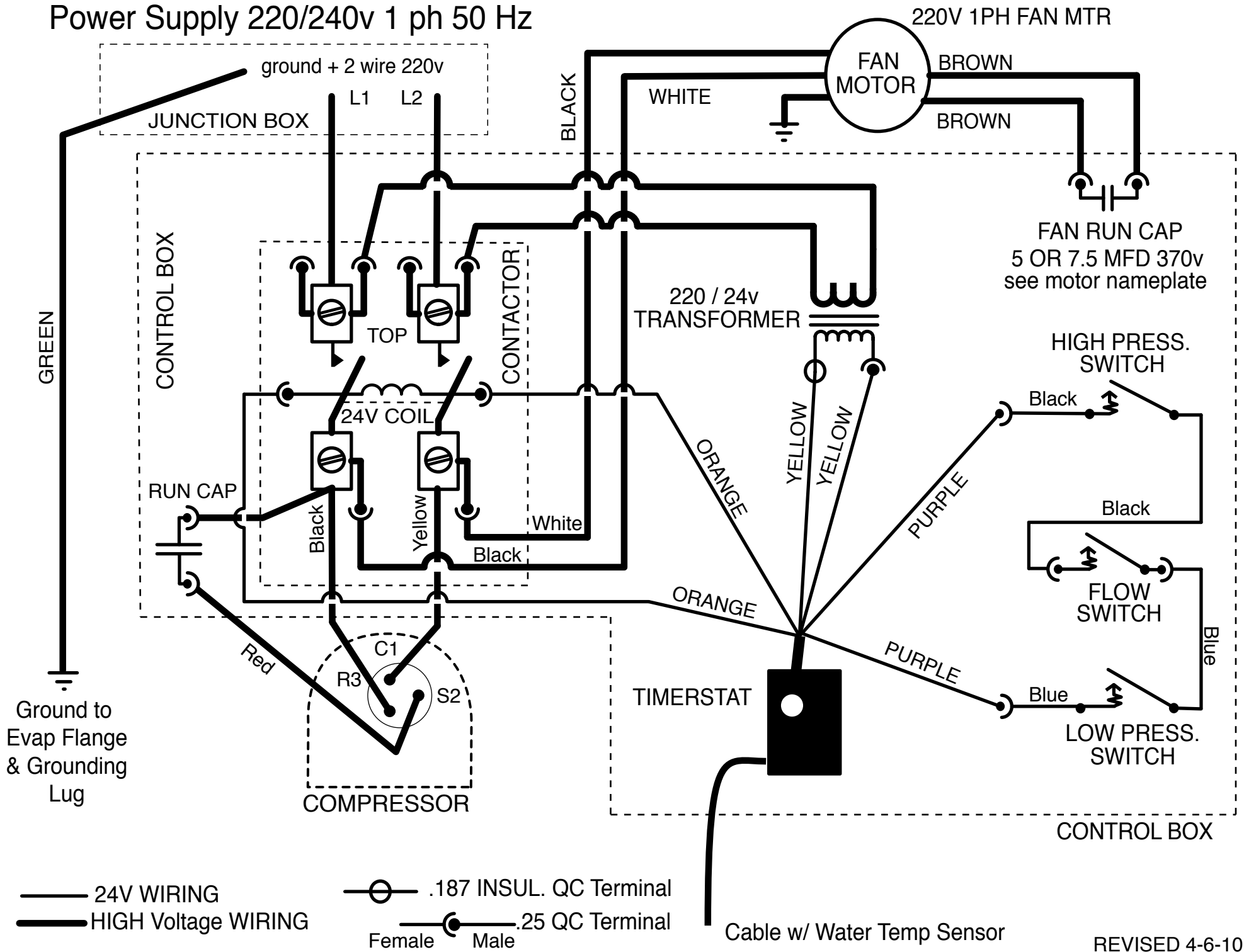
Cable w/ Water Temp Sensor

REVISED 4-6-10

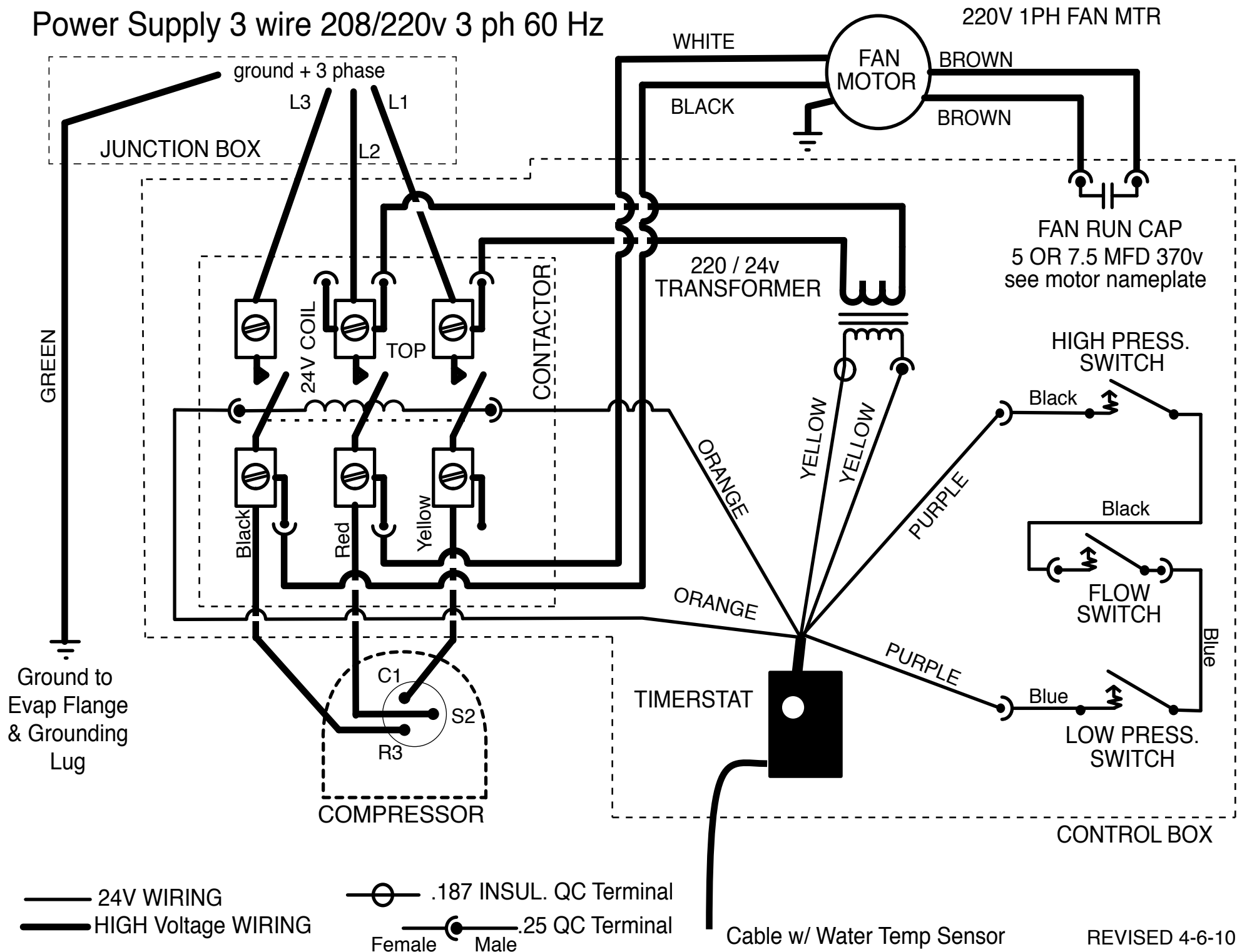
Power Supply 208/240v 1 ph 60 Hz



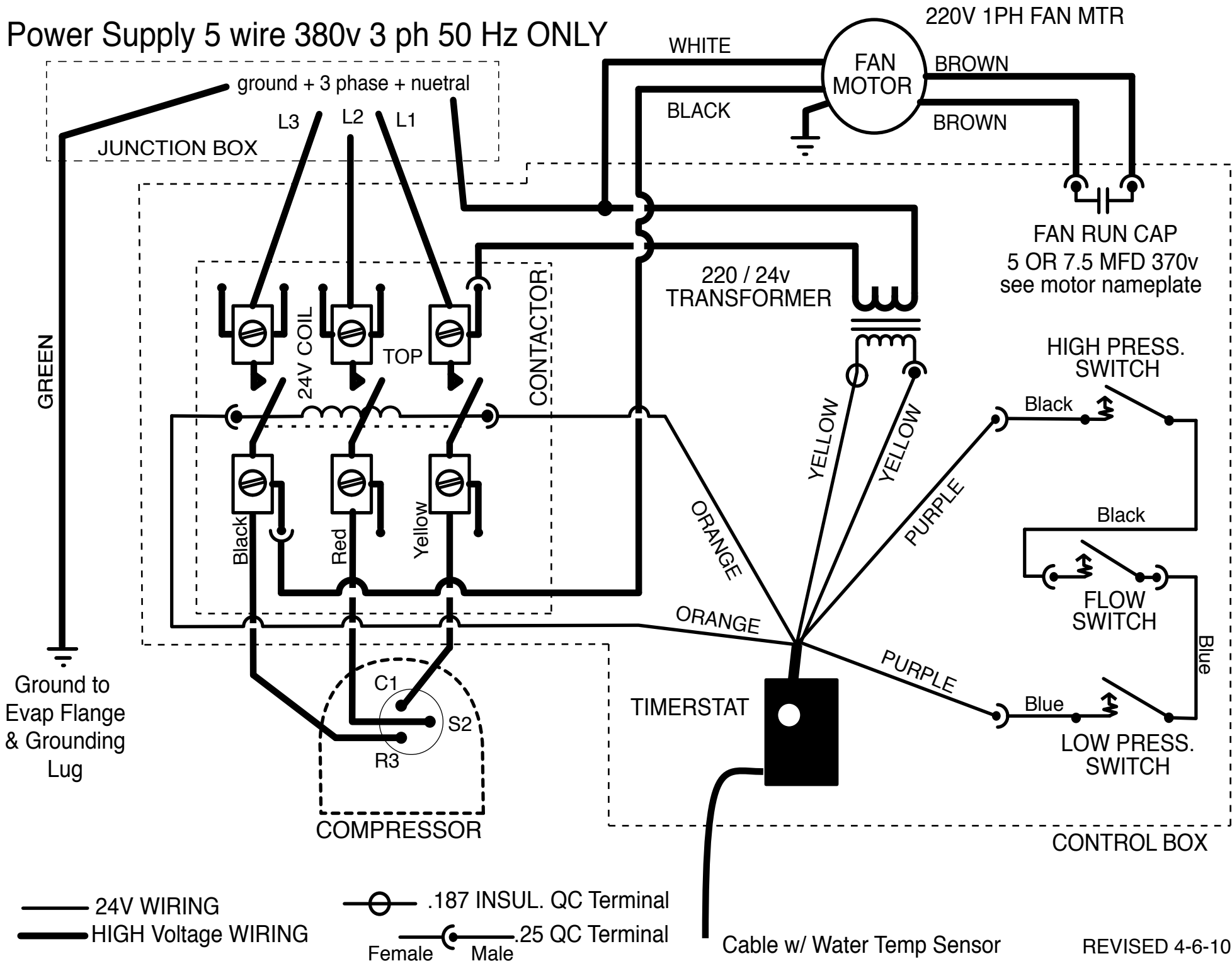
Power Supply 220/240v 1 ph 50 Hz



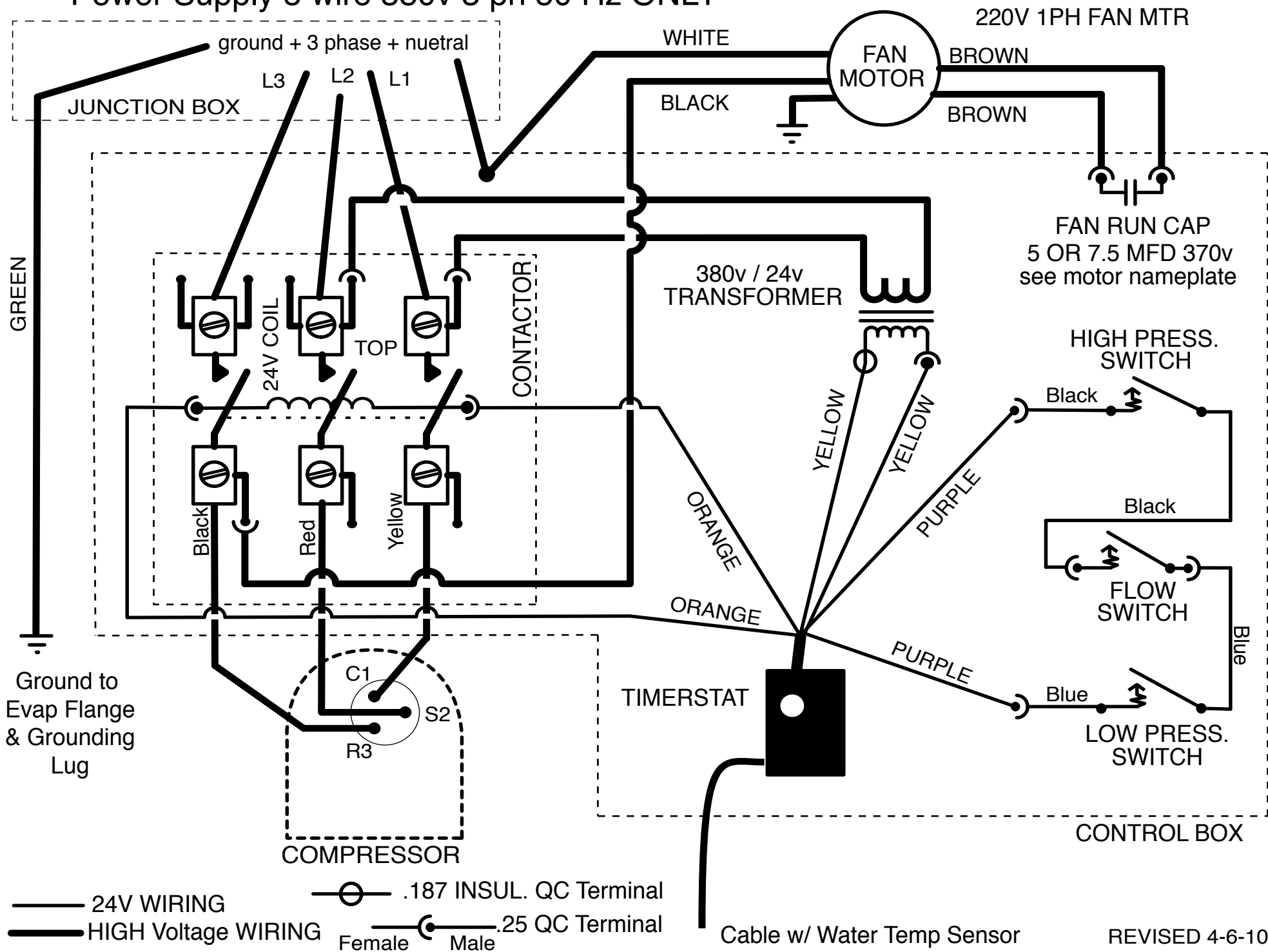
Power Supply 3 wire 208/220v 3 ph 60 Hz



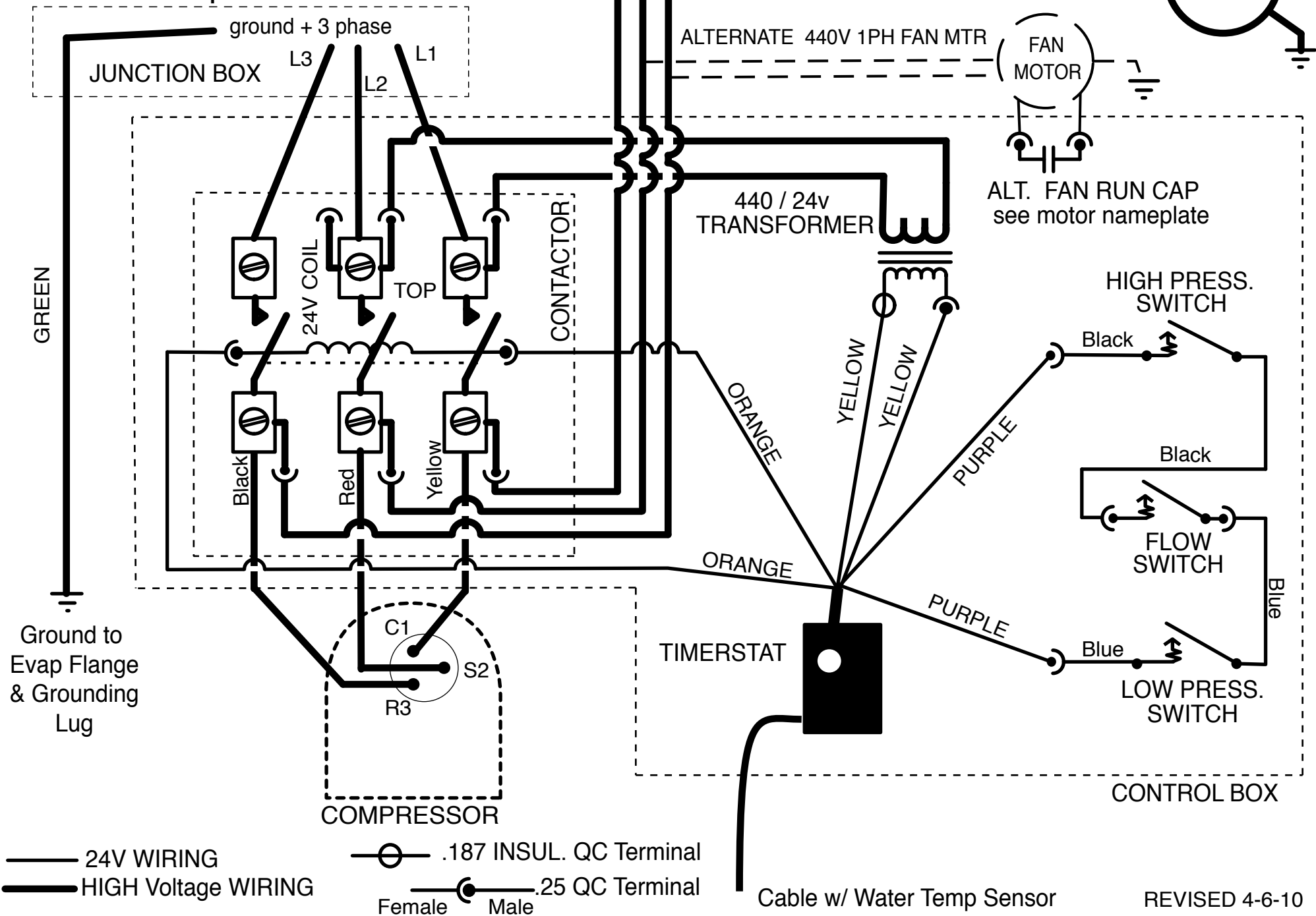
Power Supply 5 wire 380v 3 ph 50 Hz ONLY



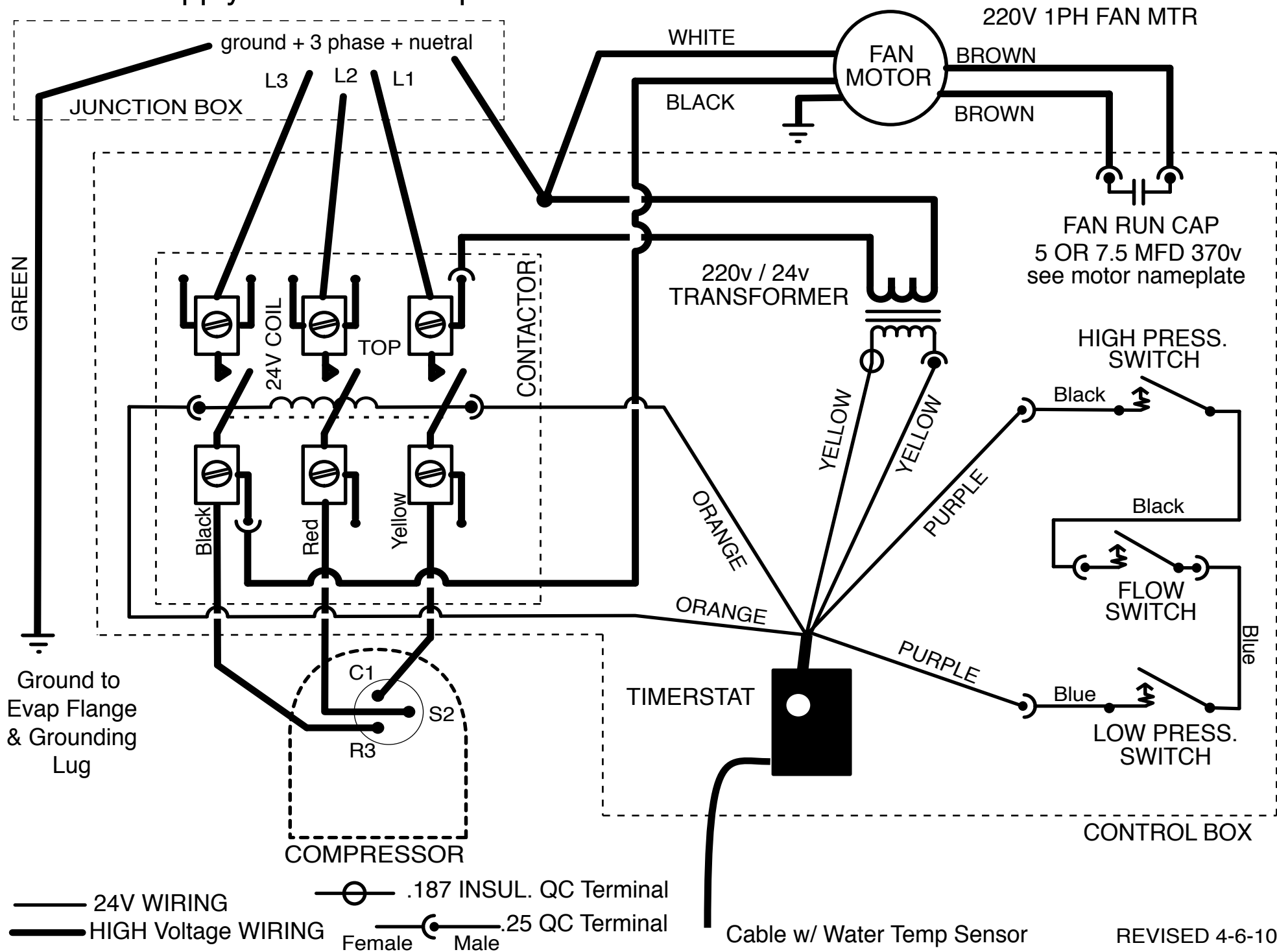
Power Supply 5 wire 380v 3 ph 50 Hz ONLY



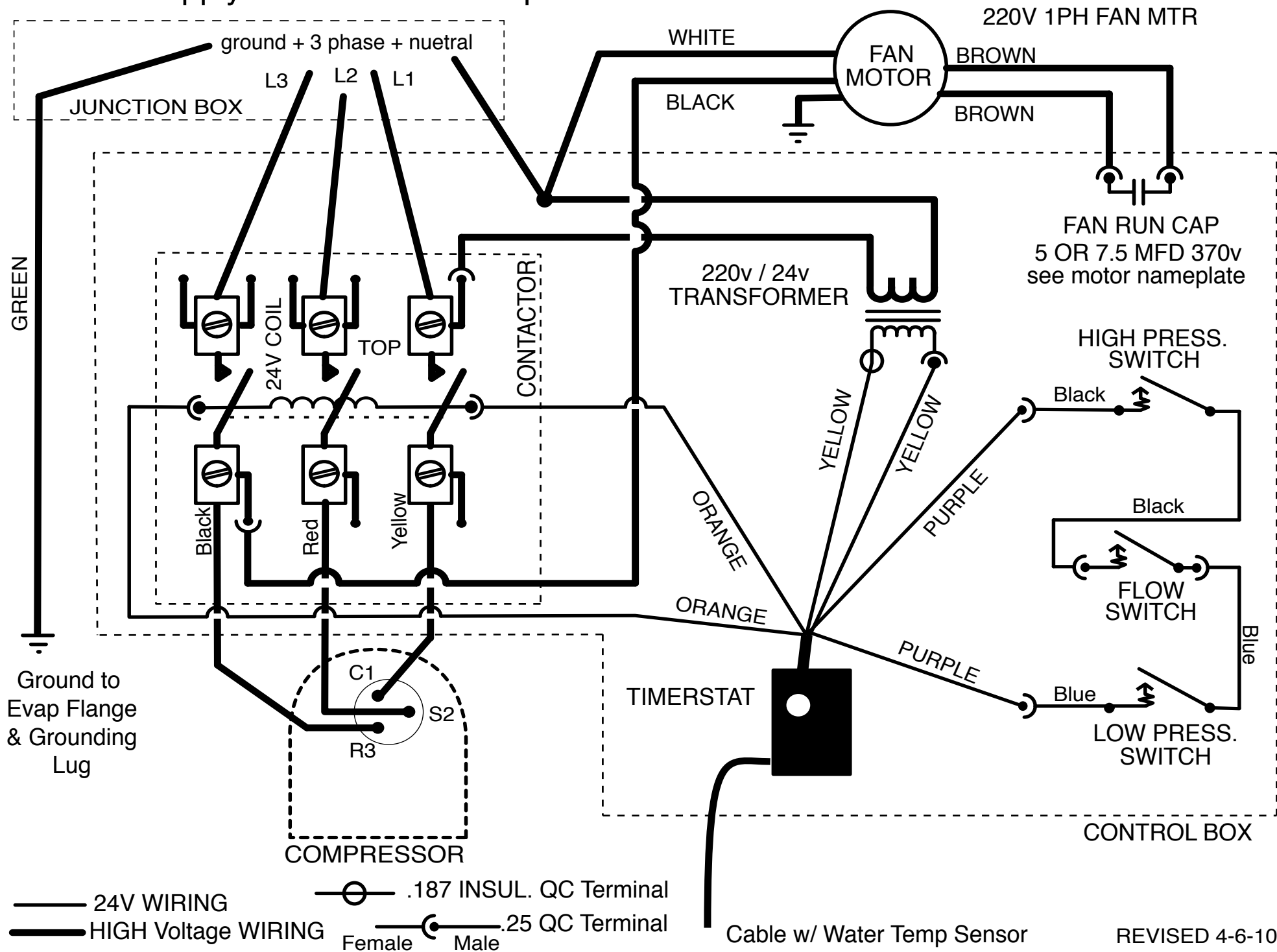
Power Supply 3 wire + GROUND 440v 3 ph 60 Hz ONLY



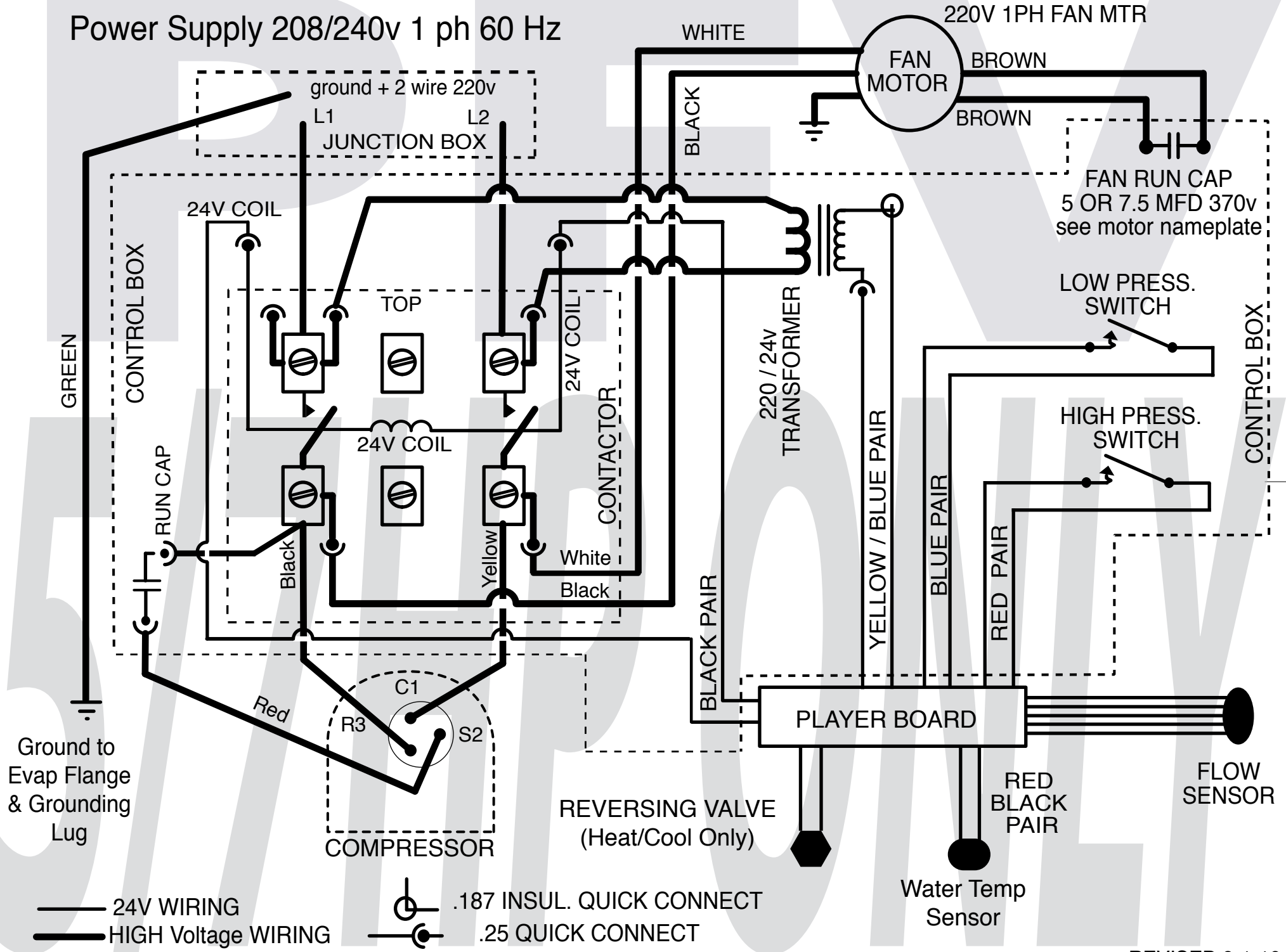
Power Supply 5 wire 440v 3 ph 60Hz ONLY



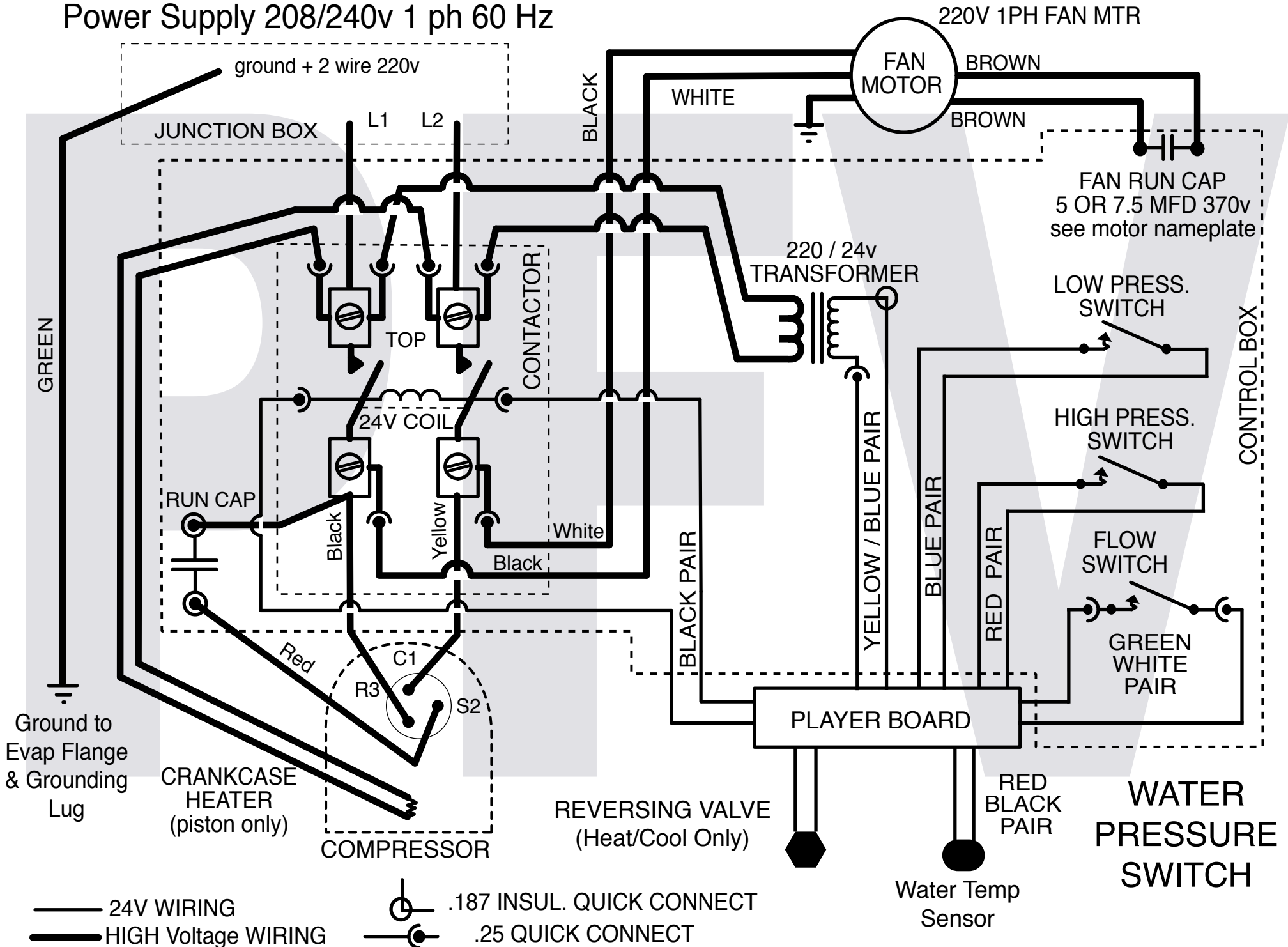
Power Supply 5 wire 440/380v 3 ph 60/50Hz ONLY



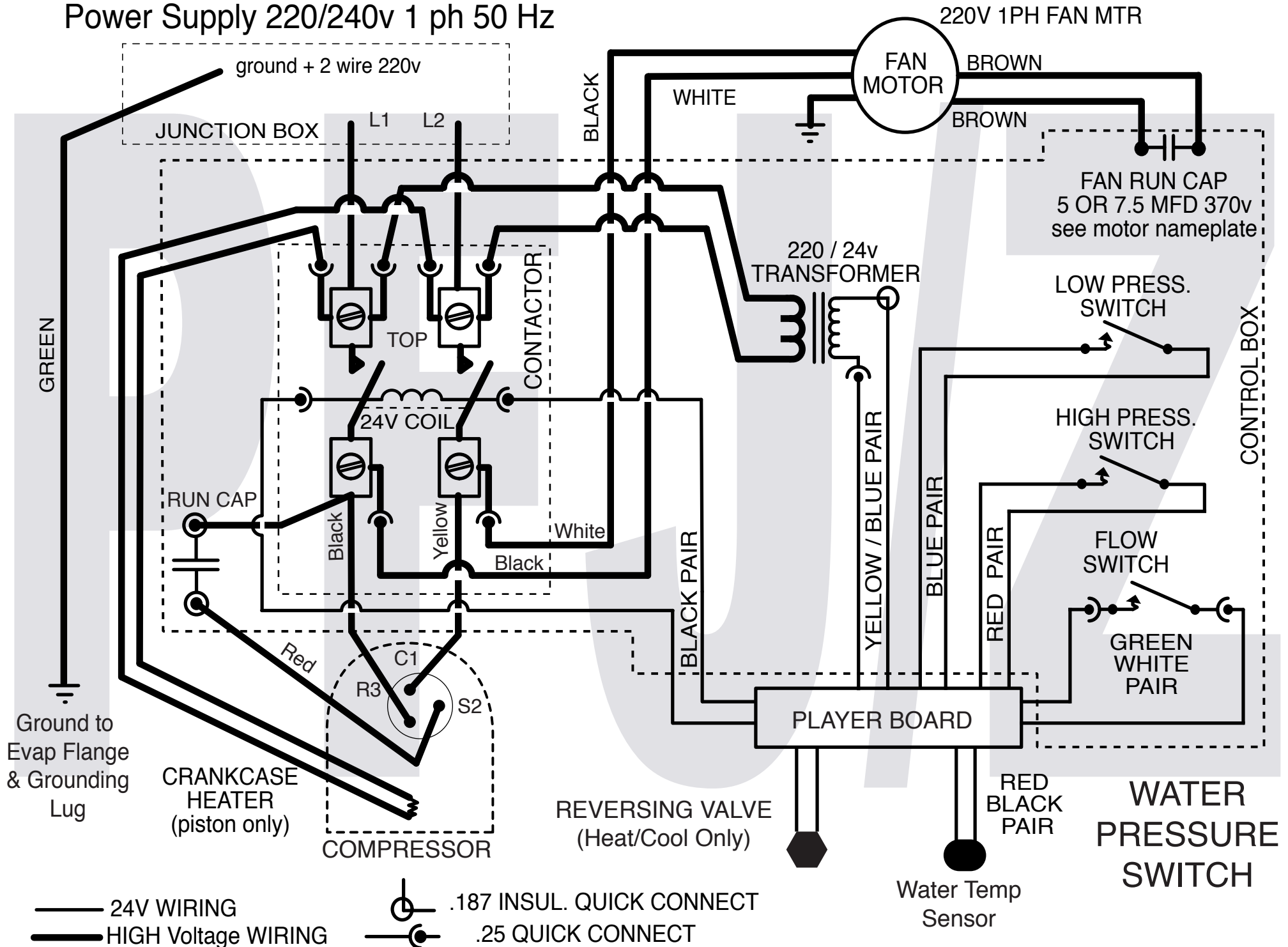
Power Supply 208/240v 1 ph 60 Hz



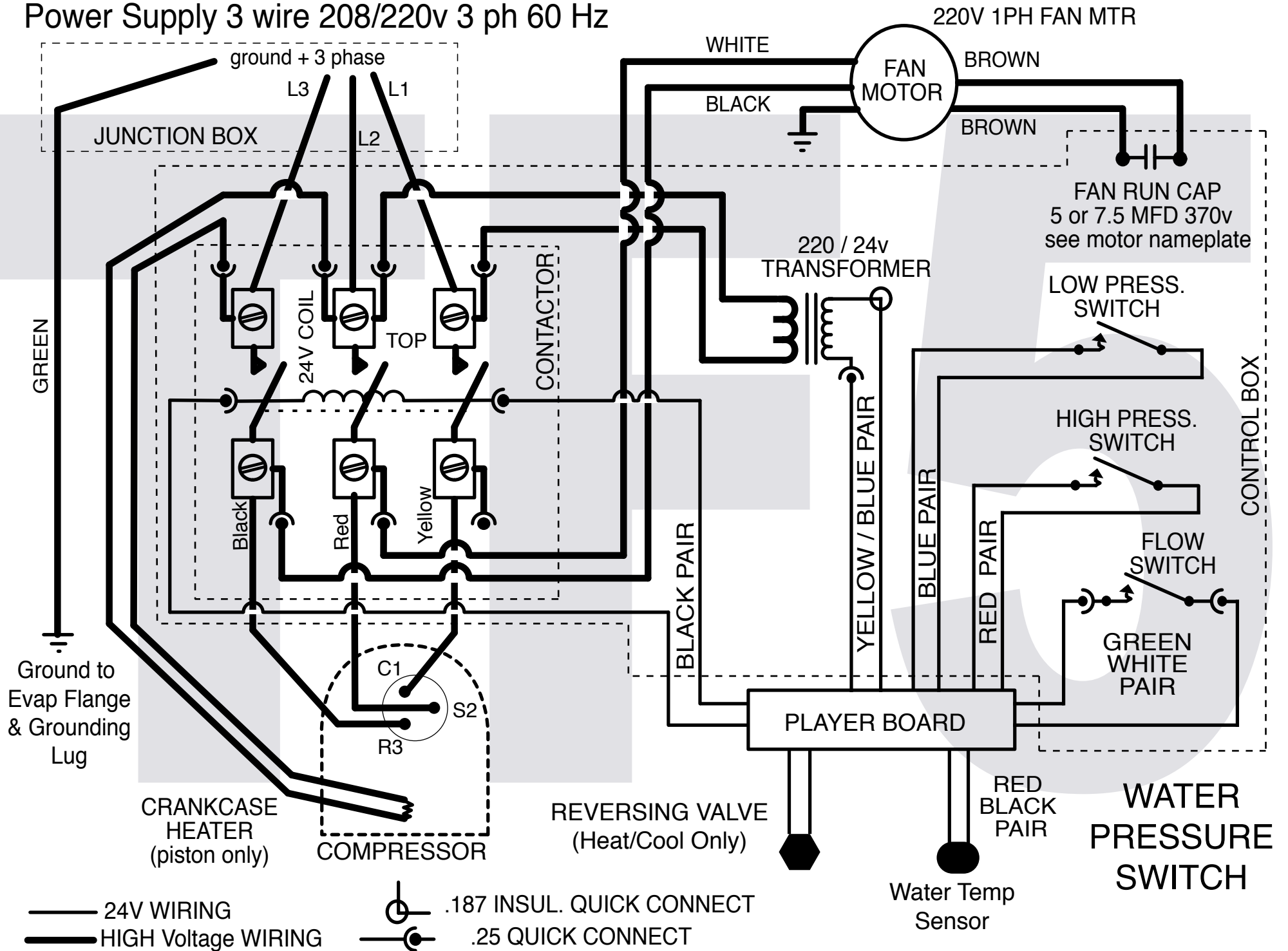
Power Supply 208/240v 1 ph 60 Hz



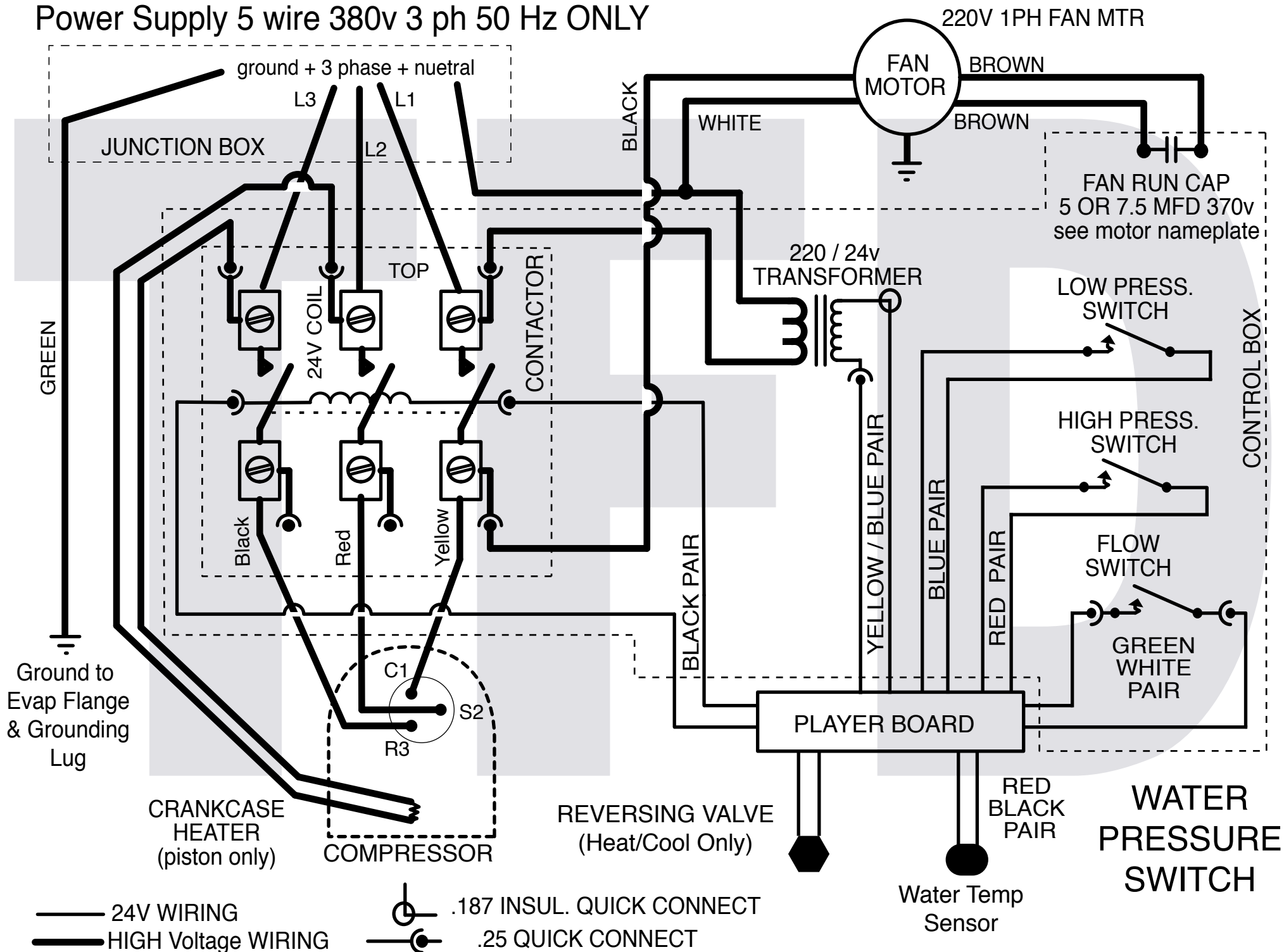
Power Supply 220/240v 1 ph 50 Hz



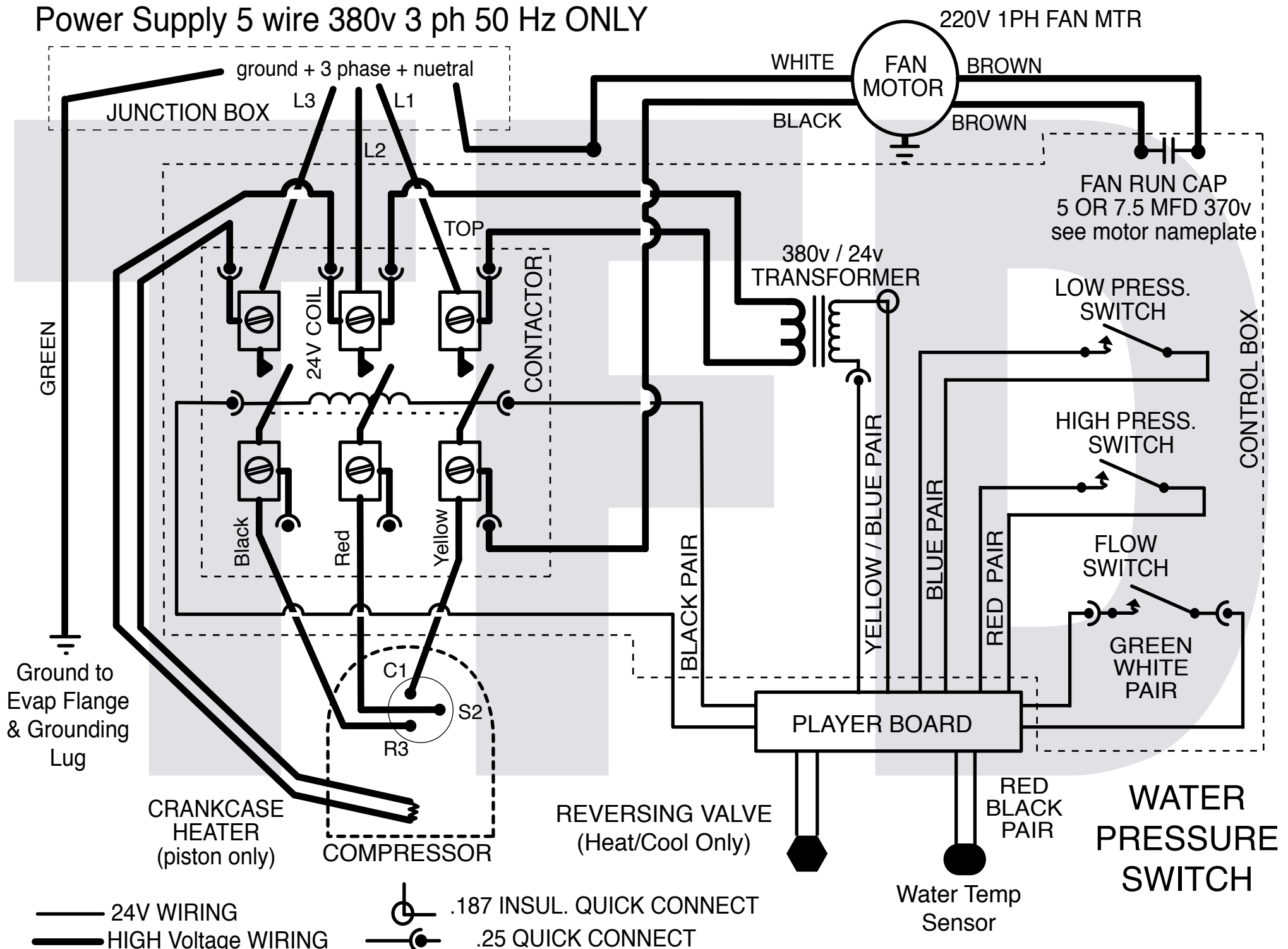
Power Supply 3 wire 208/220v 3 ph 60 Hz



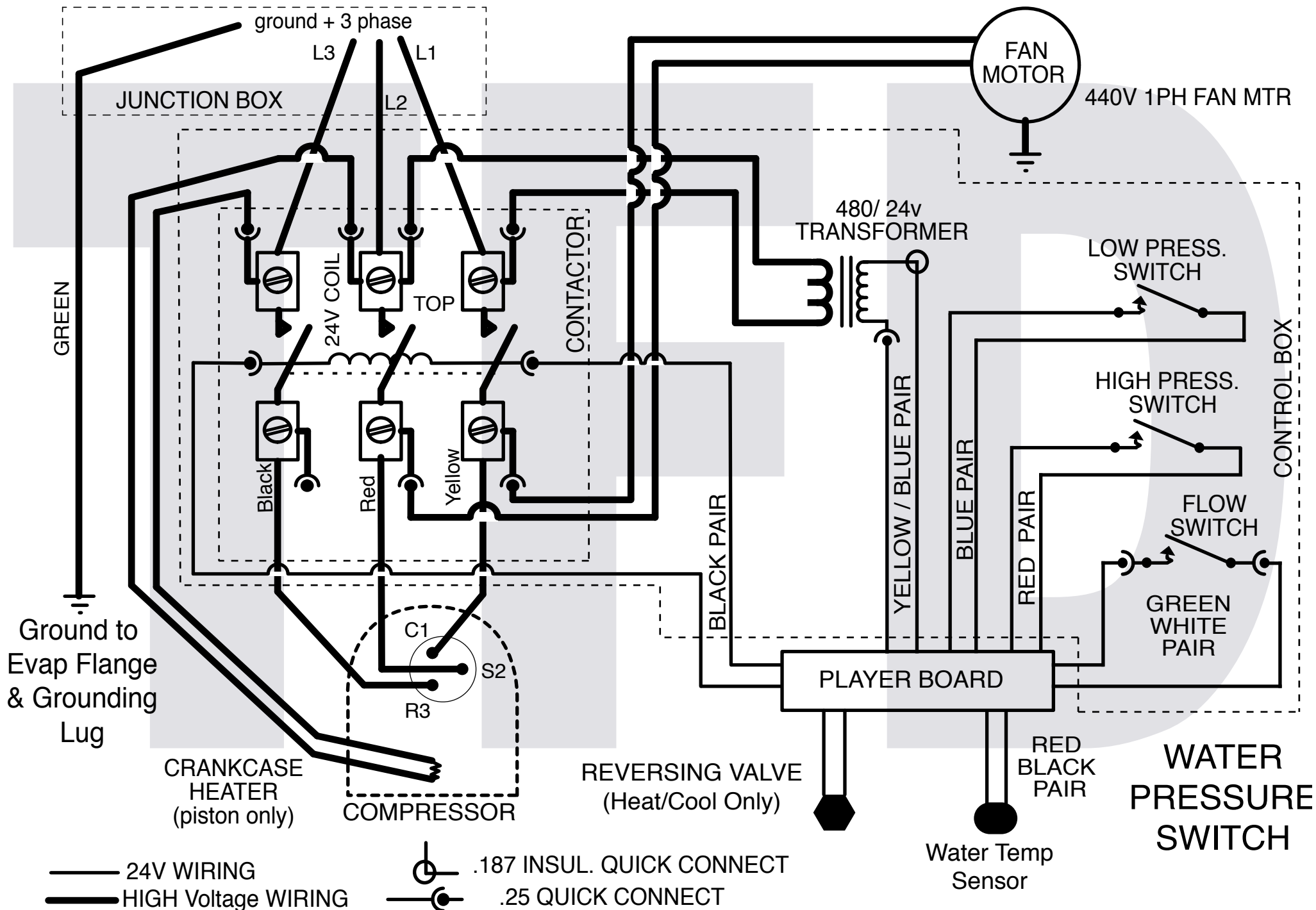
Power Supply 5 wire 380v 3 ph 50 Hz ONLY



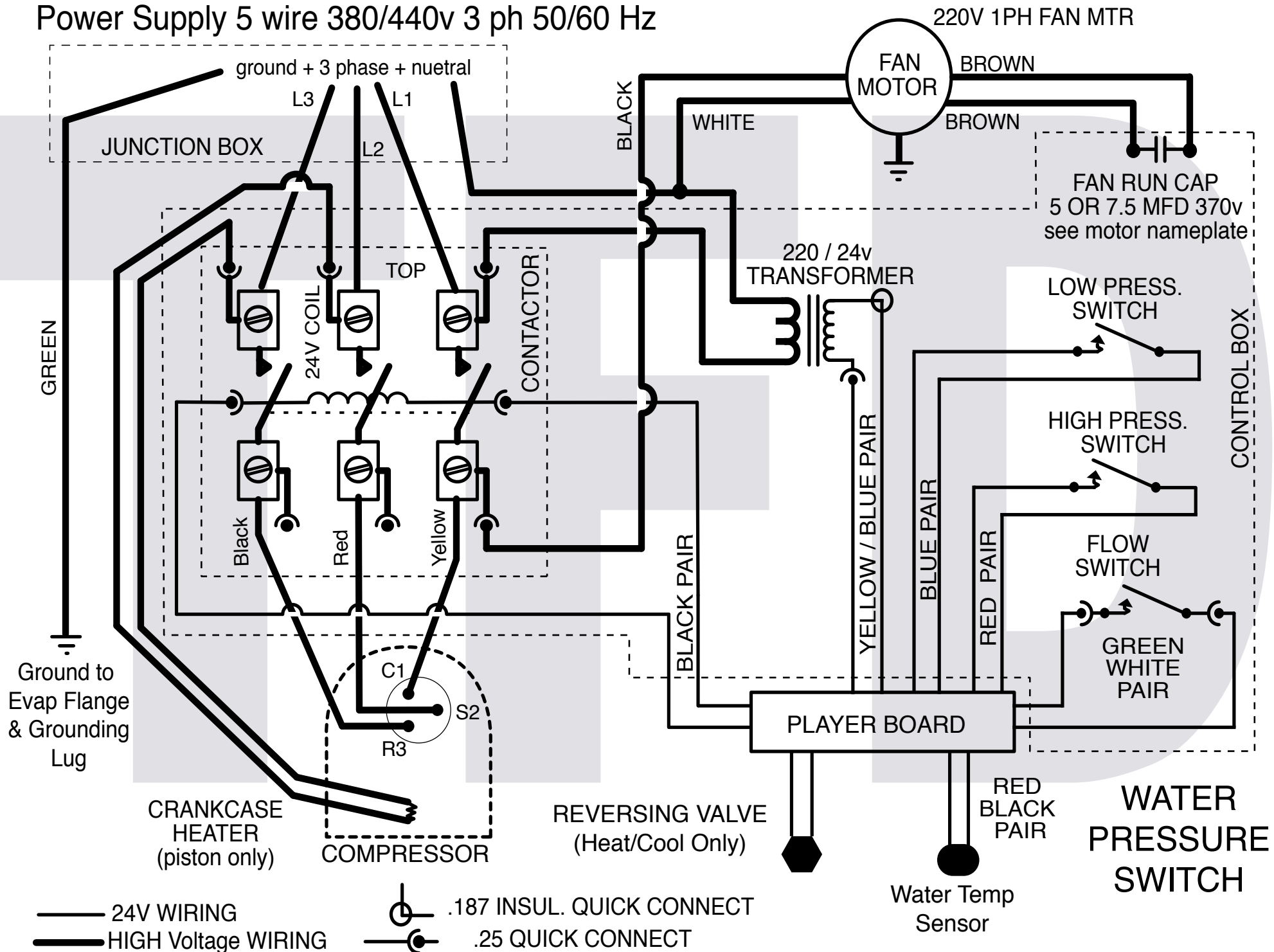
Power Supply 5 wire 380v 3 ph 50 Hz ONLY



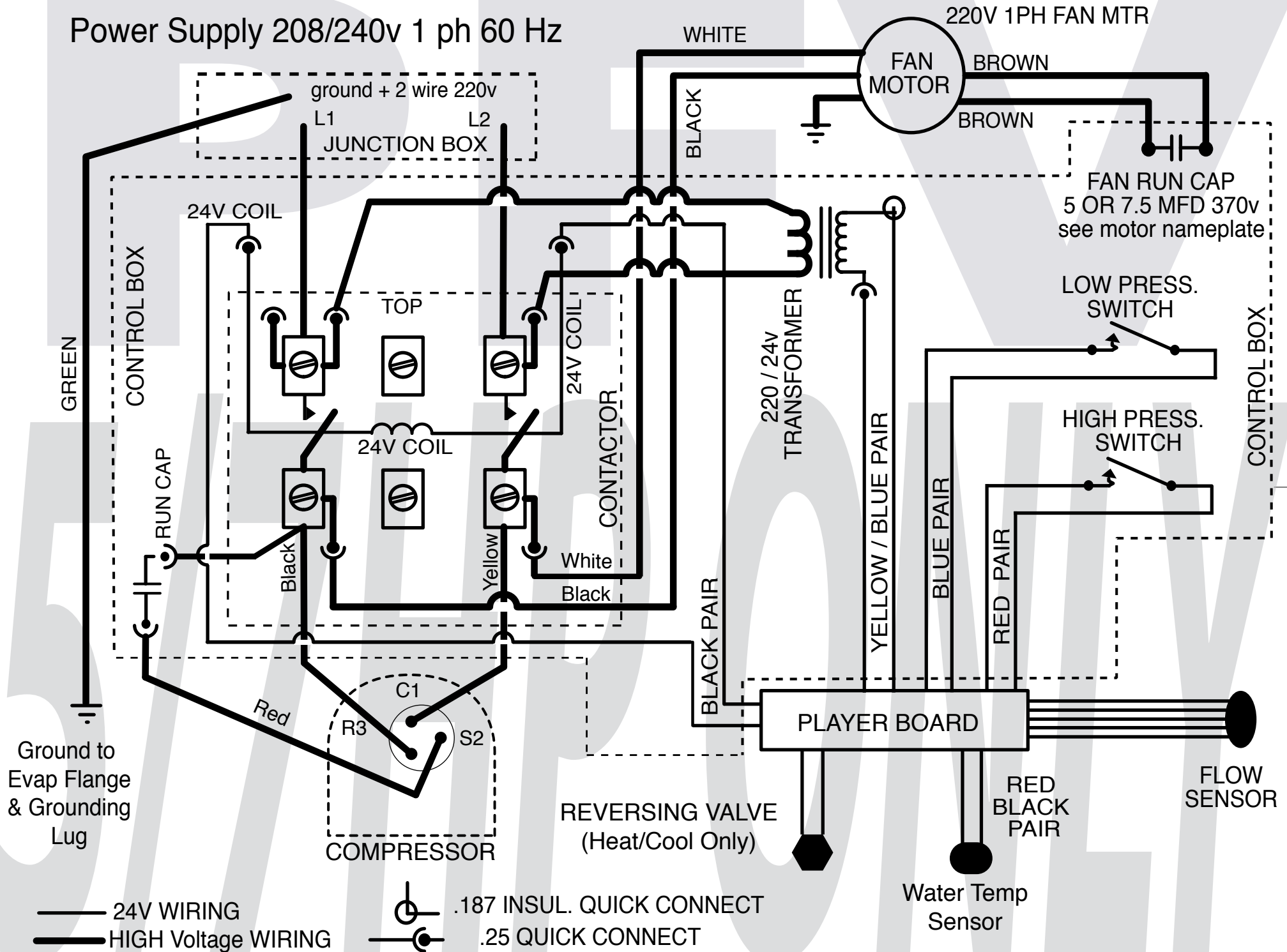
Power Supply 3 wire 440v 3 ph 60 Hz ONLY



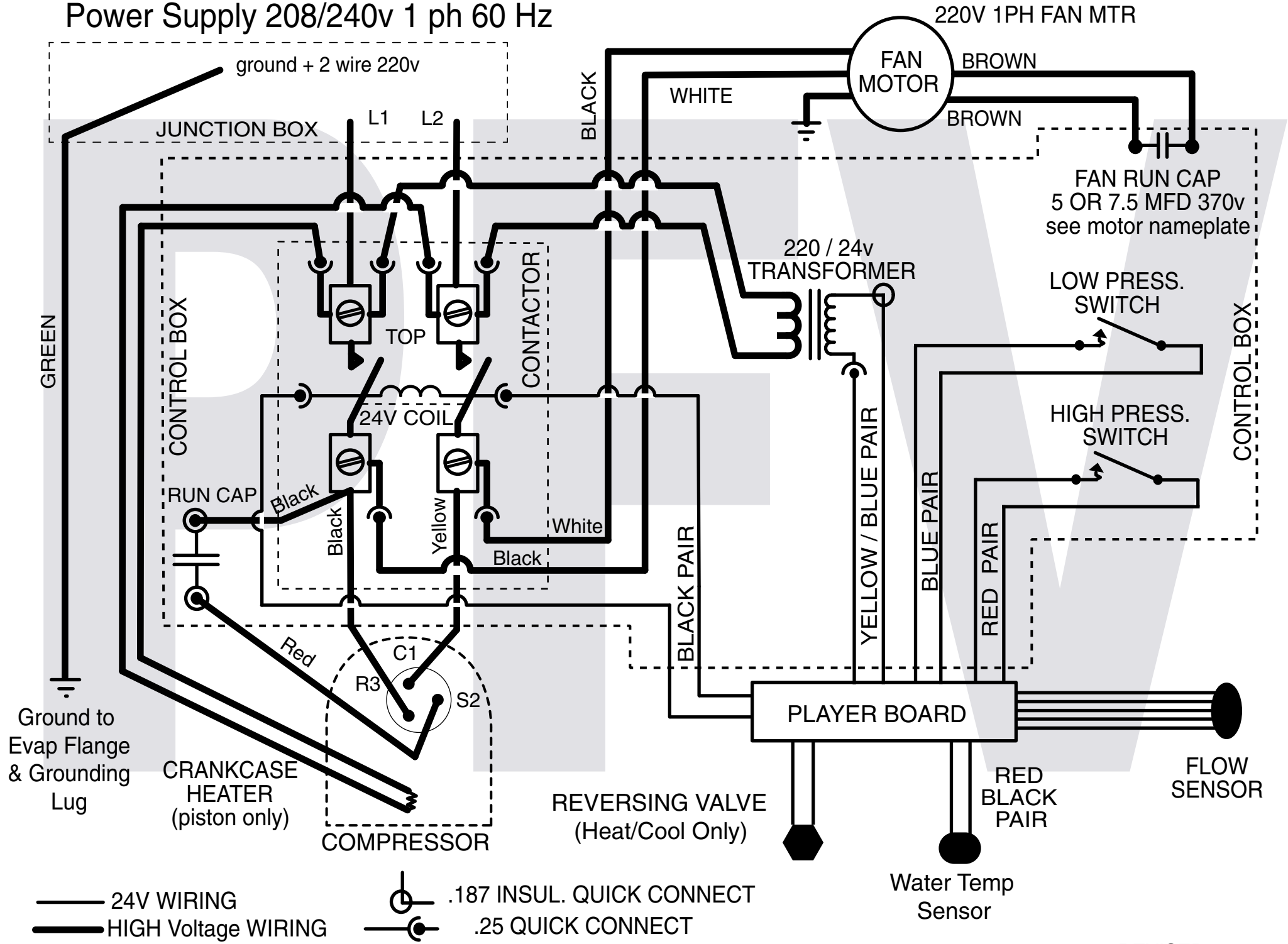
Power Supply 5 wire 380/440v 3 ph 50/60 Hz



Power Supply 208/240v 1 ph 60 Hz



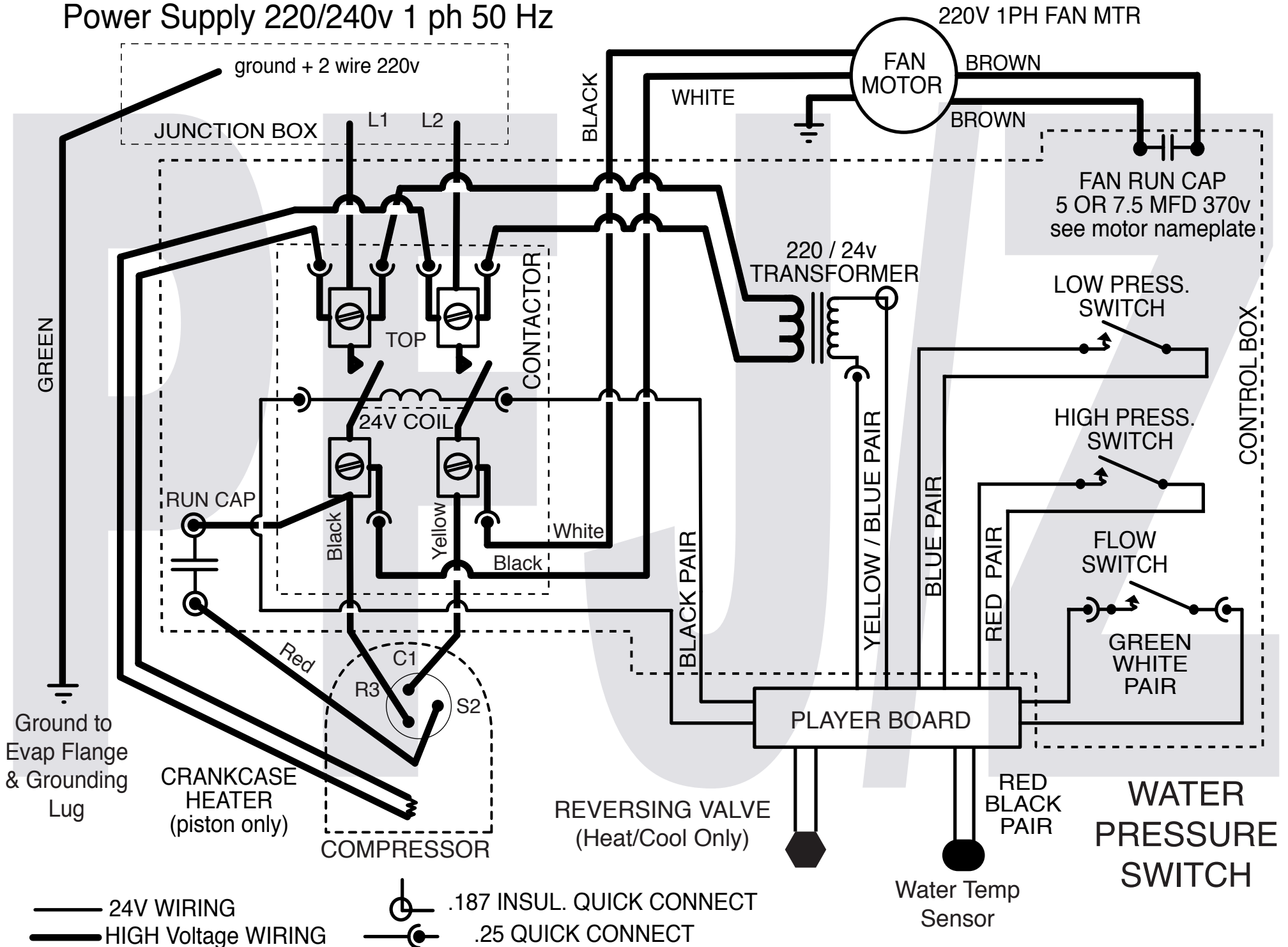
Power Supply 208/240v 1 ph 60 Hz



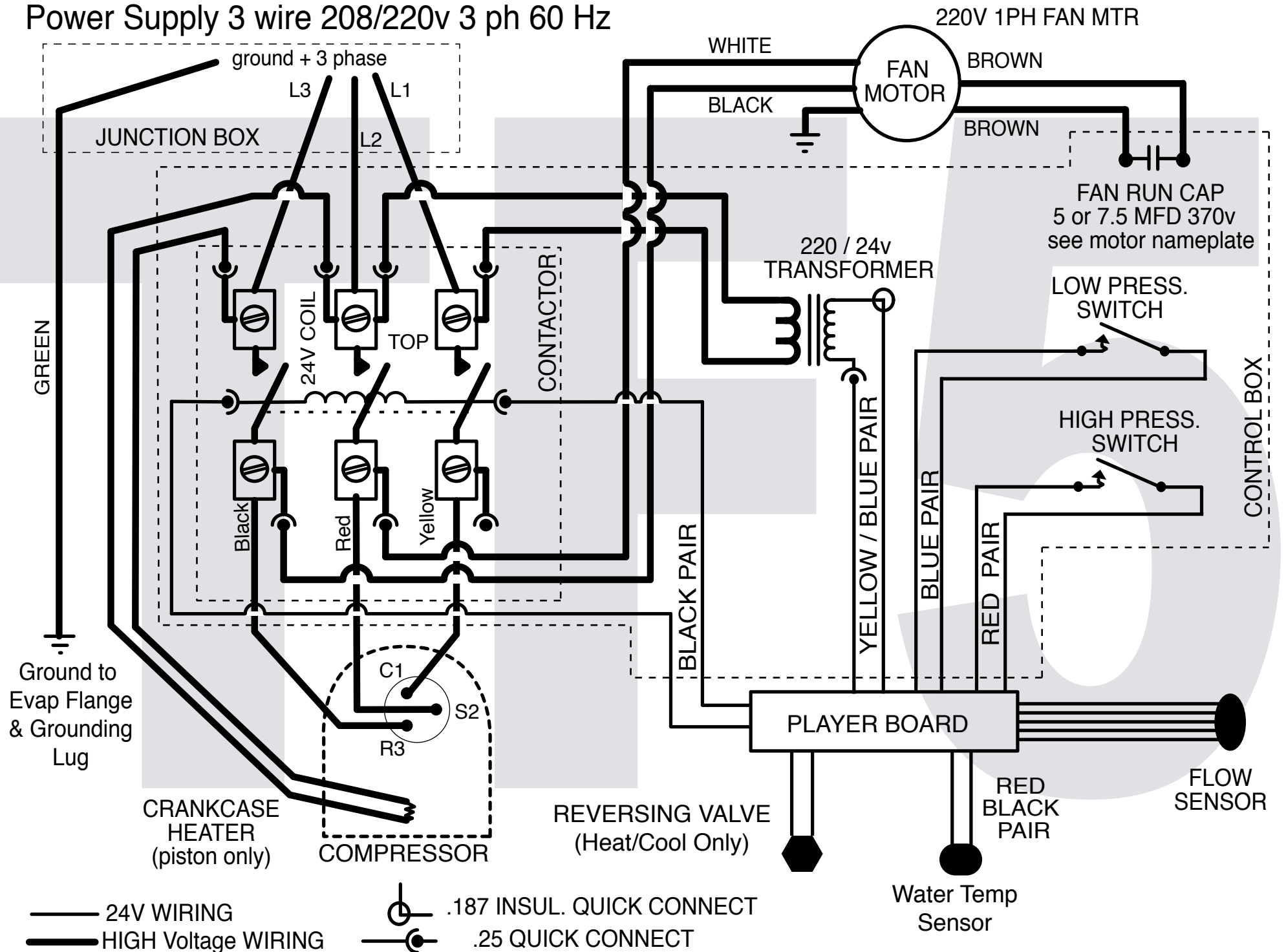
— 24V WIRING
 — HIGH Voltage WIRING

○ .187 INSUL. QUICK CONNECT
 ○ .25 QUICK CONNECT

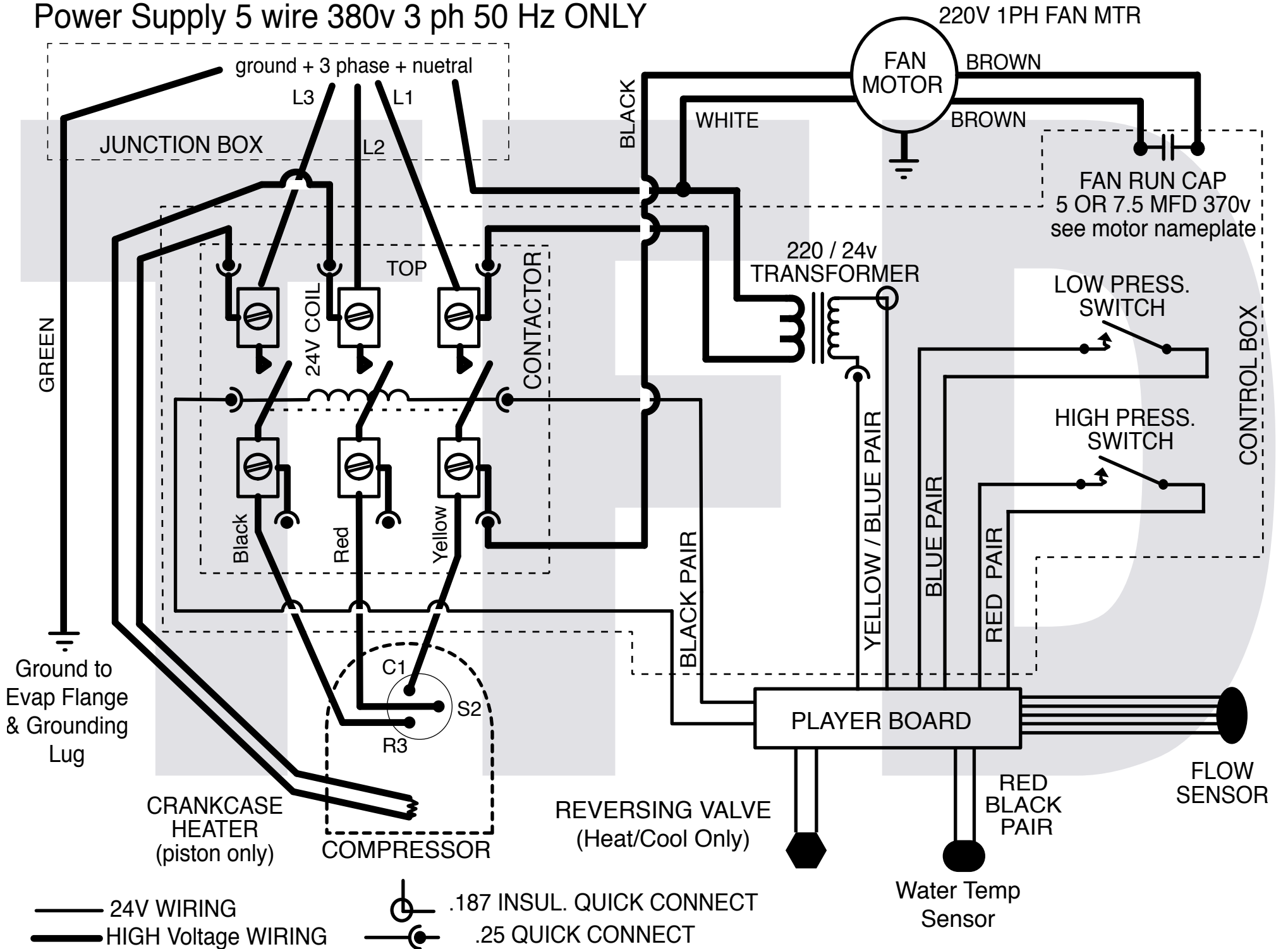
Power Supply 220/240v 1 ph 50 Hz



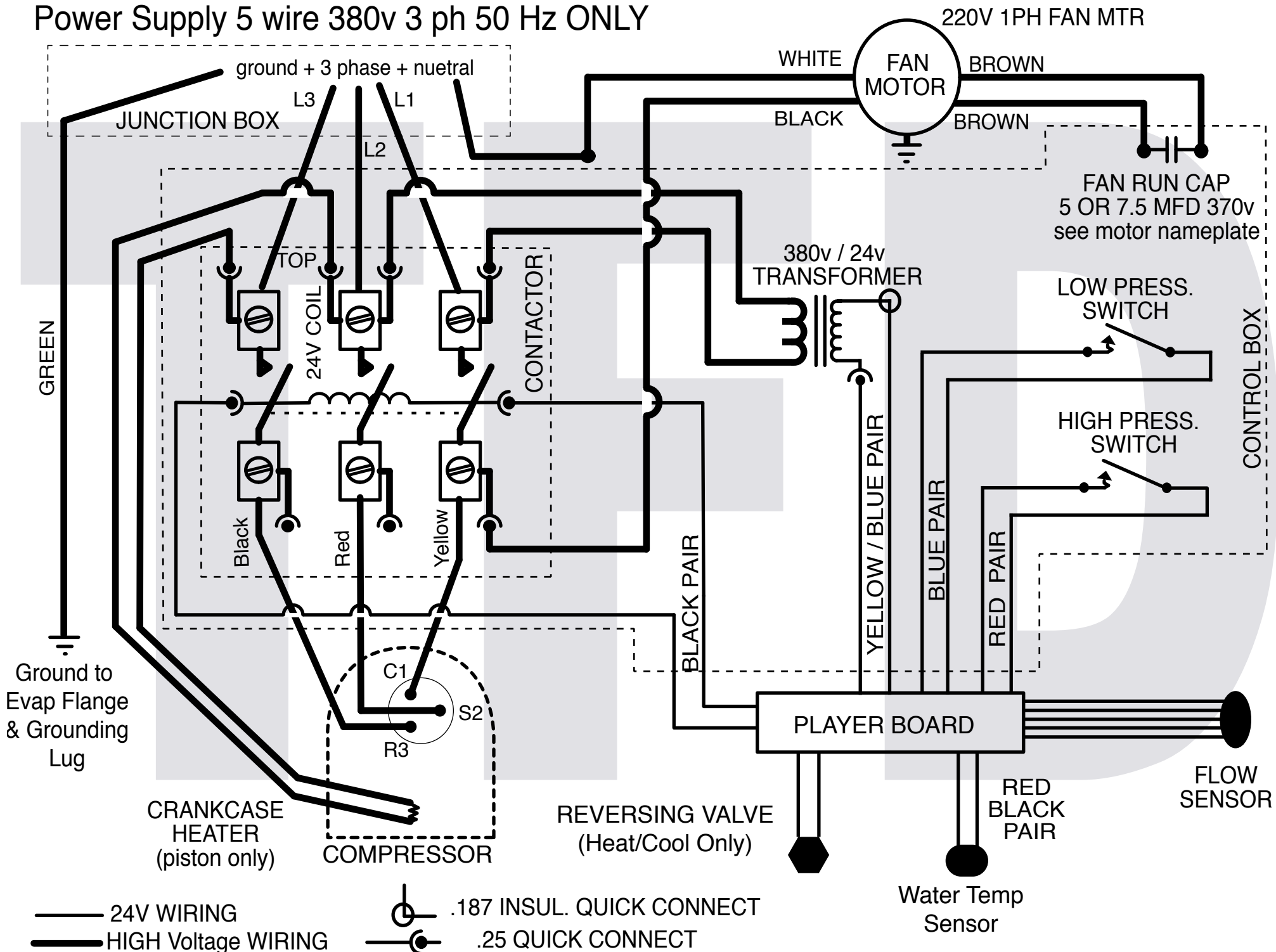
Power Supply 3 wire 208/220v 3 ph 60 Hz



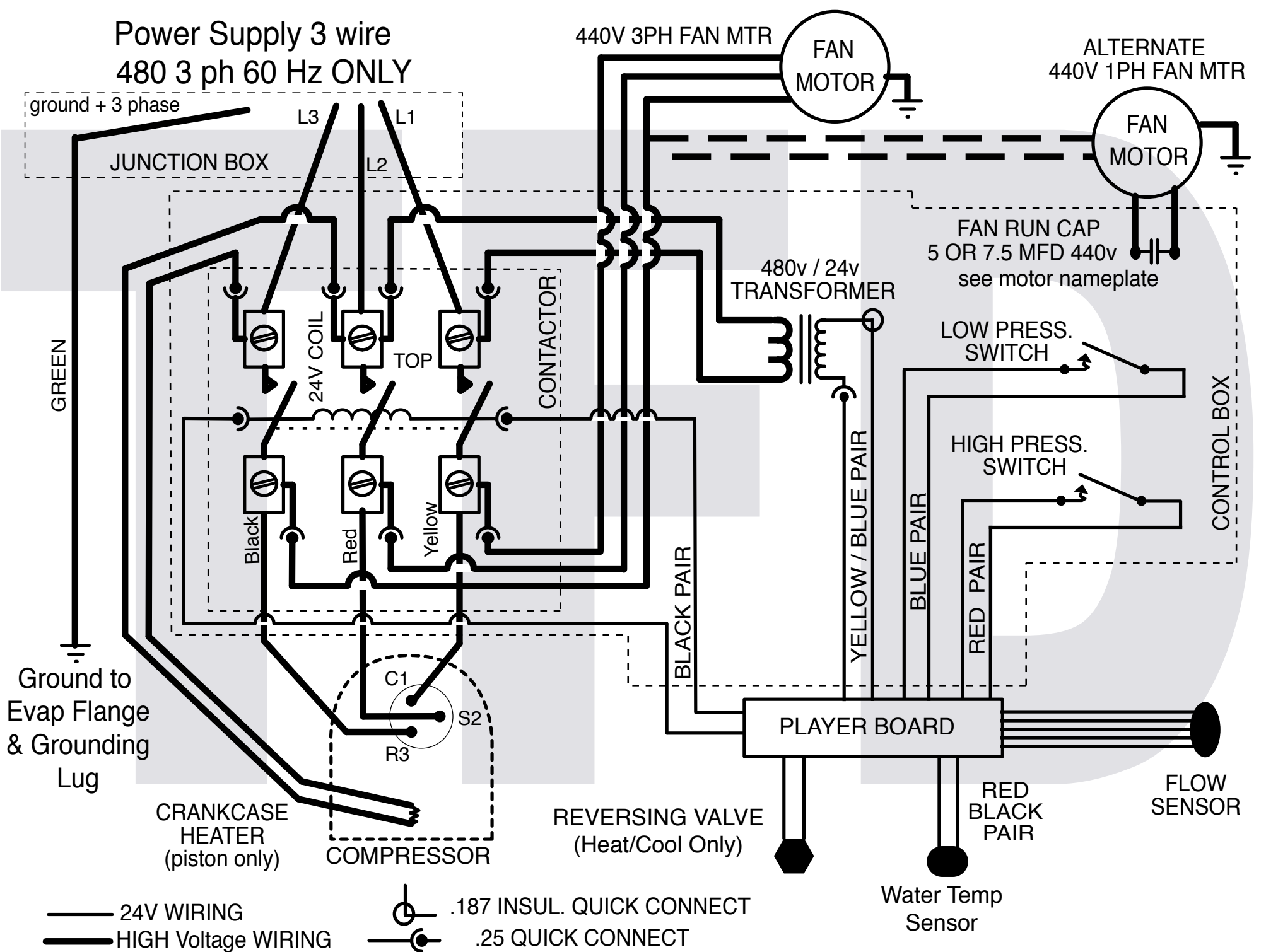
Power Supply 5 wire 380v 3 ph 50 Hz ONLY



Power Supply 5 wire 380v 3 ph 50 Hz ONLY



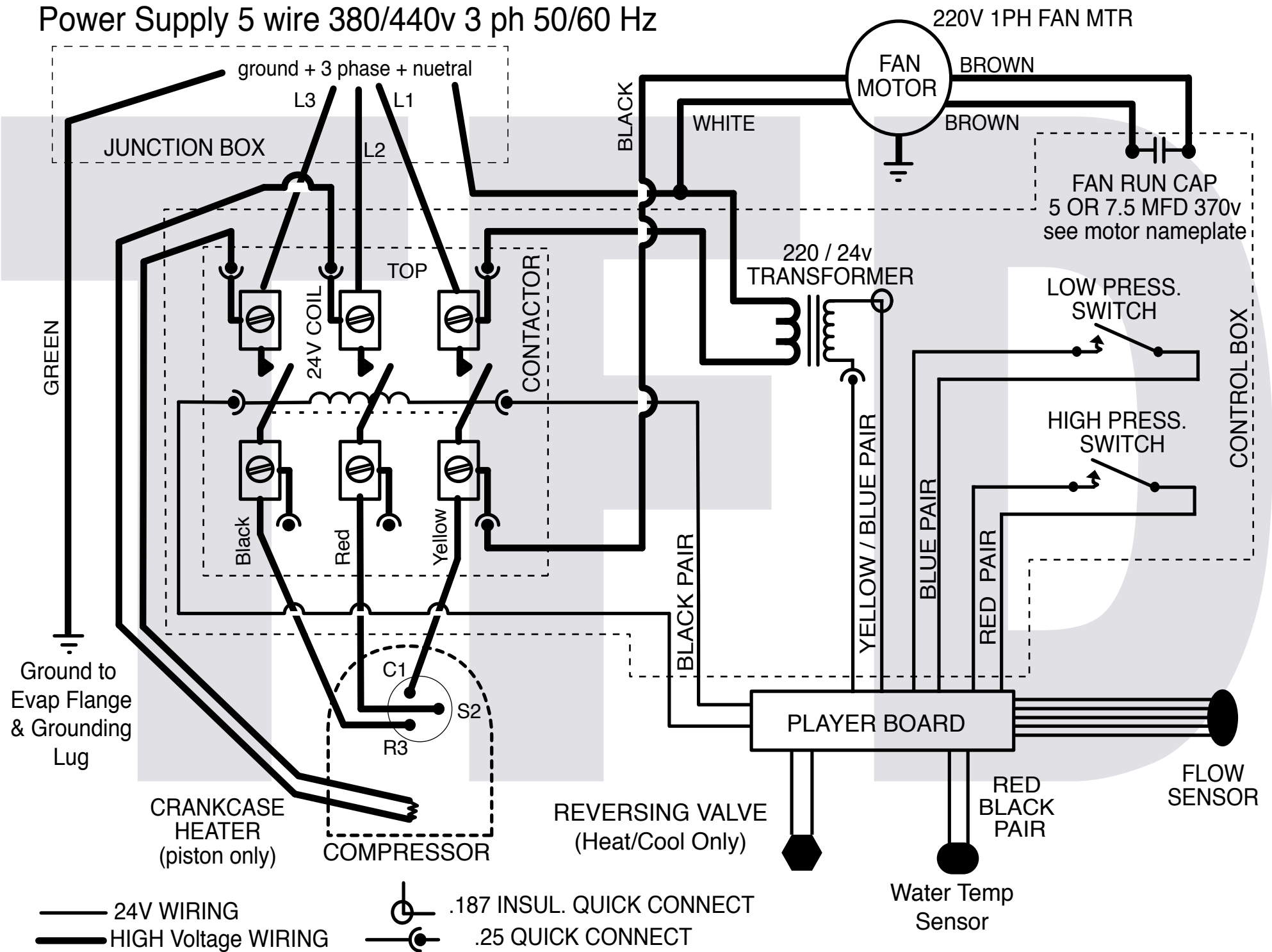
Power Supply 3 wire 480 3 ph 60 Hz ONLY



— 24V WIRING
 — HIGH Voltage WIRING

○ .187 INSUL. QUICK CONNECT
 ● .25 QUICK CONNECT

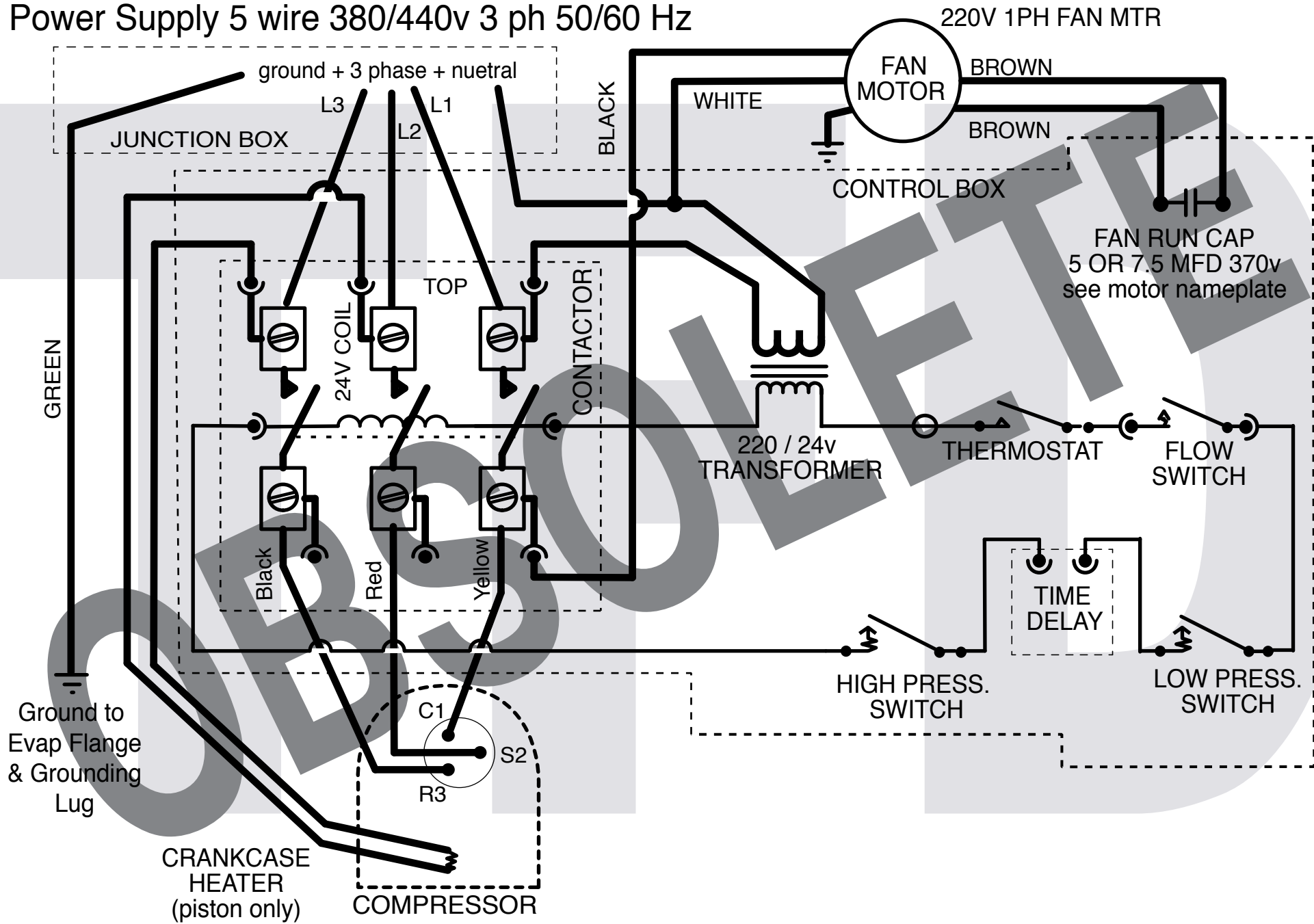
Power Supply 5 wire 380/440v 3 ph 50/60 Hz



— 24V WIRING
 — HIGH Voltage WIRING

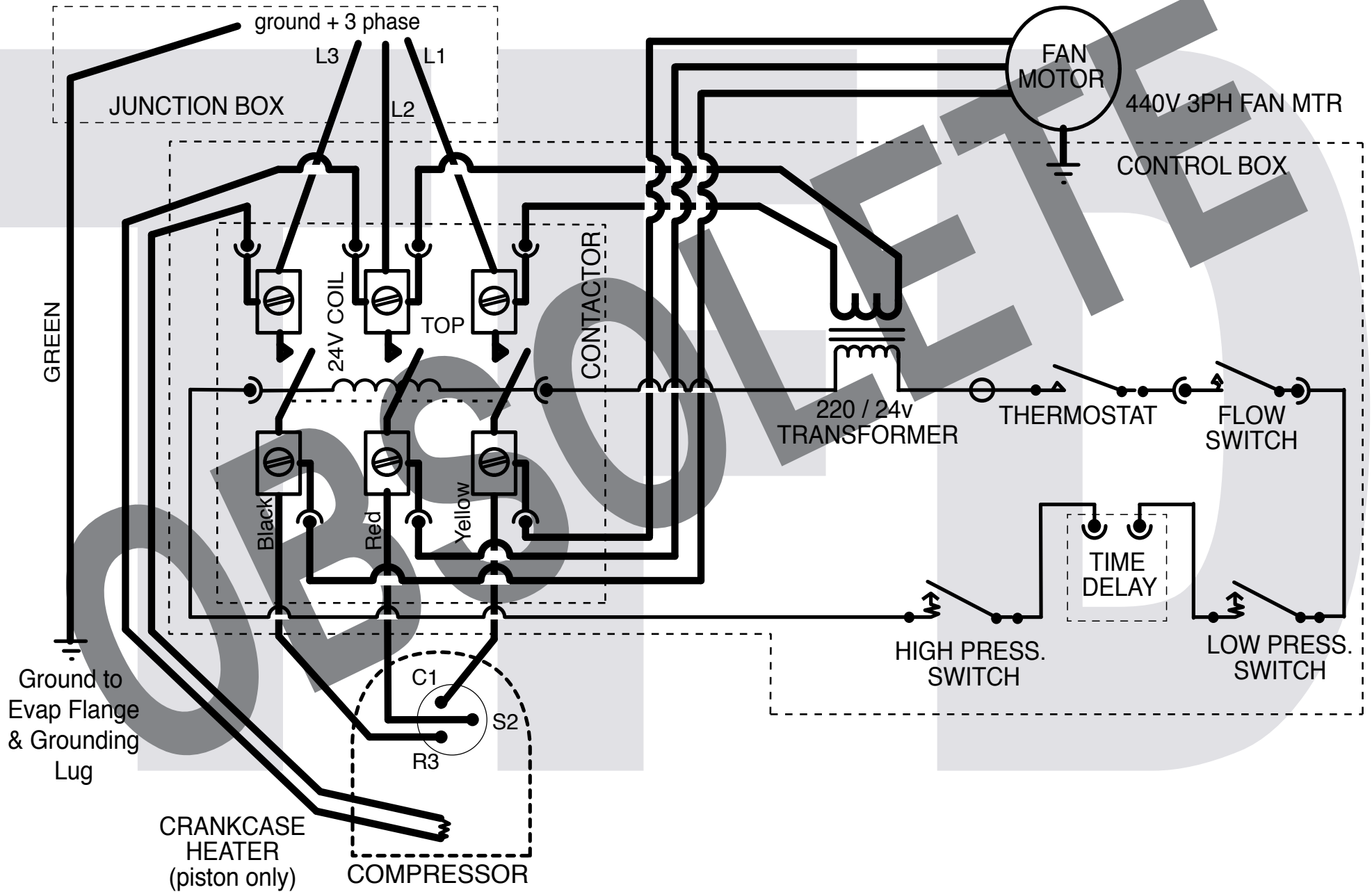
.187 INSUL. QUICK CONNECT
 .25 QUICK CONNECT

Power Supply 5 wire 380/440v 3 ph 50/60 Hz



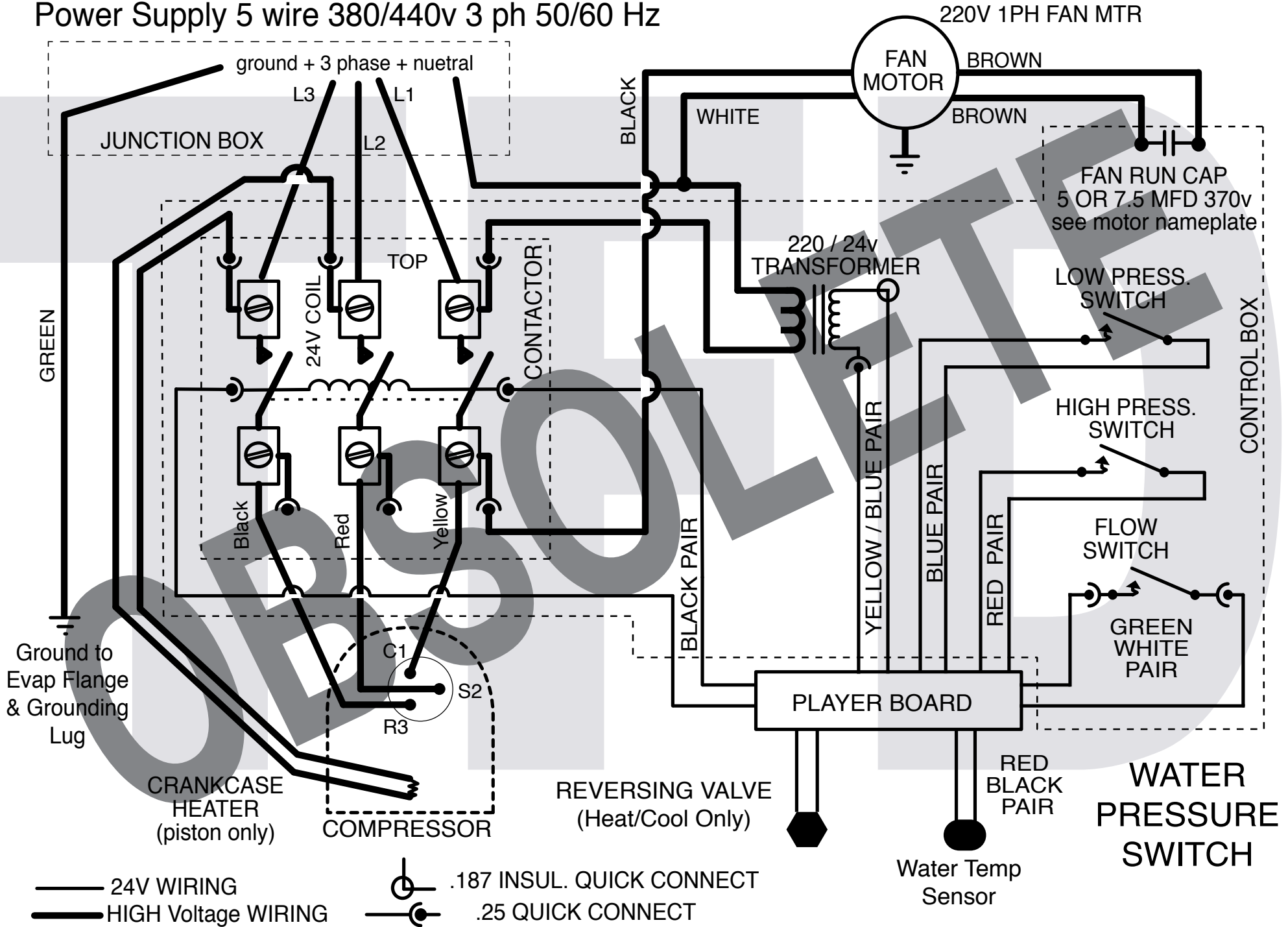
- 24V WIRING
- HIGH Voltage WIRING
- .187 INSUL. QUICK CONNECT
- .25 QUICK CONNECT

Power Supply 3 wire 380/440v 3 ph 50/60 Hz

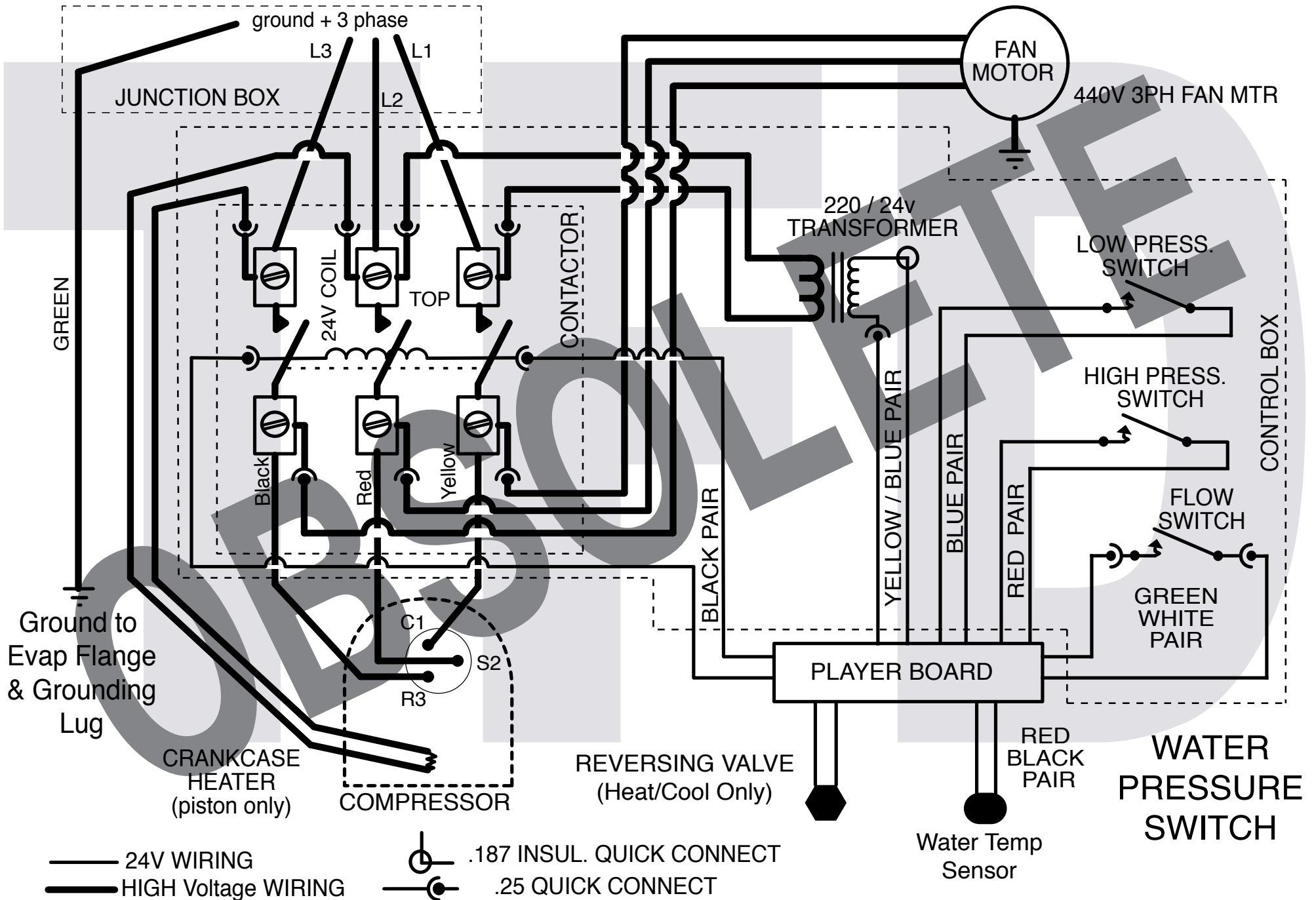


- 24V WIRING
- HIGH Voltage WIRING
- .187 INSUL. QUICK CONNECT
- .25 QUICK CONNECT

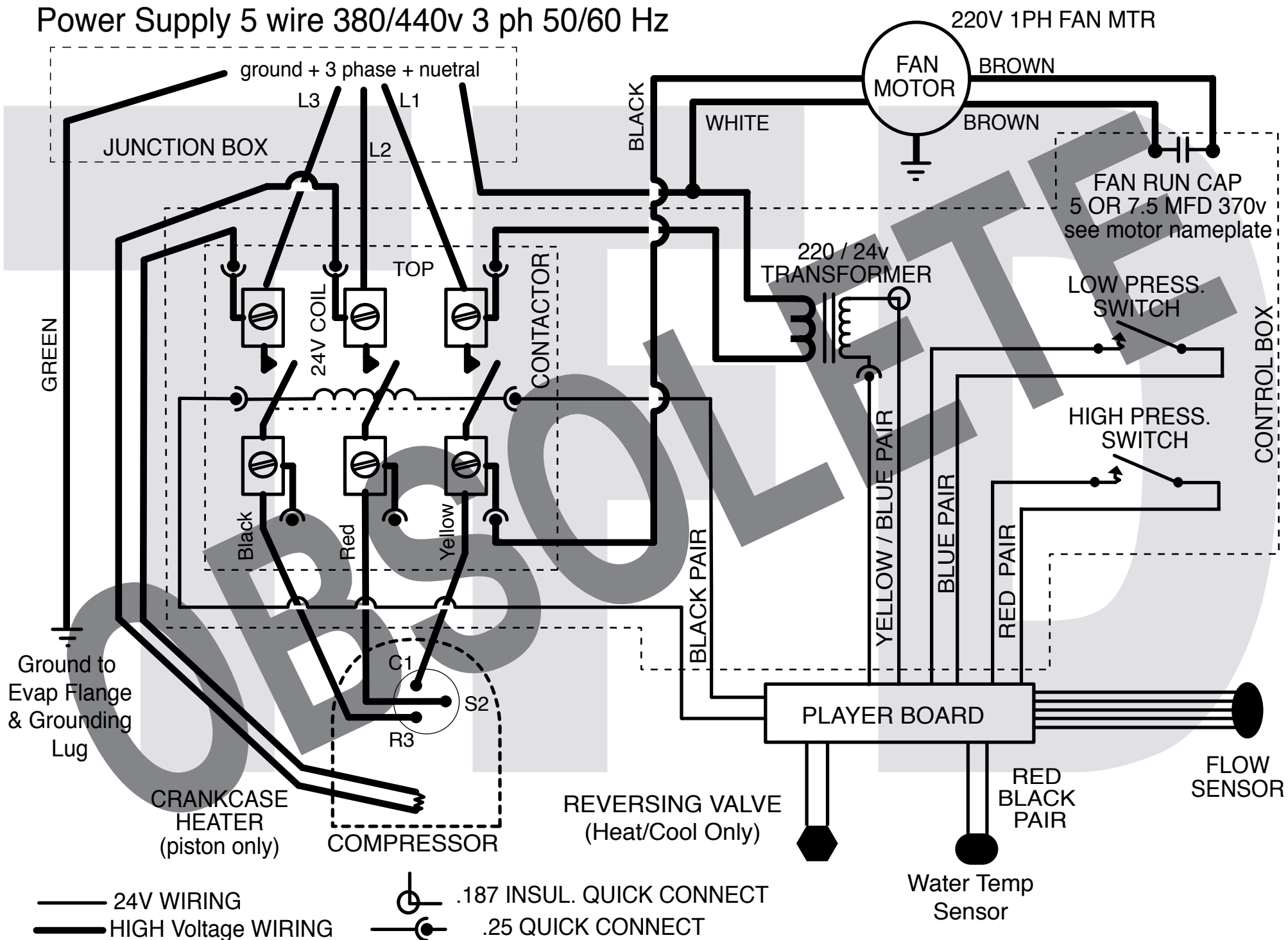
Power Supply 5 wire 380/440v 3 ph 50/60 Hz



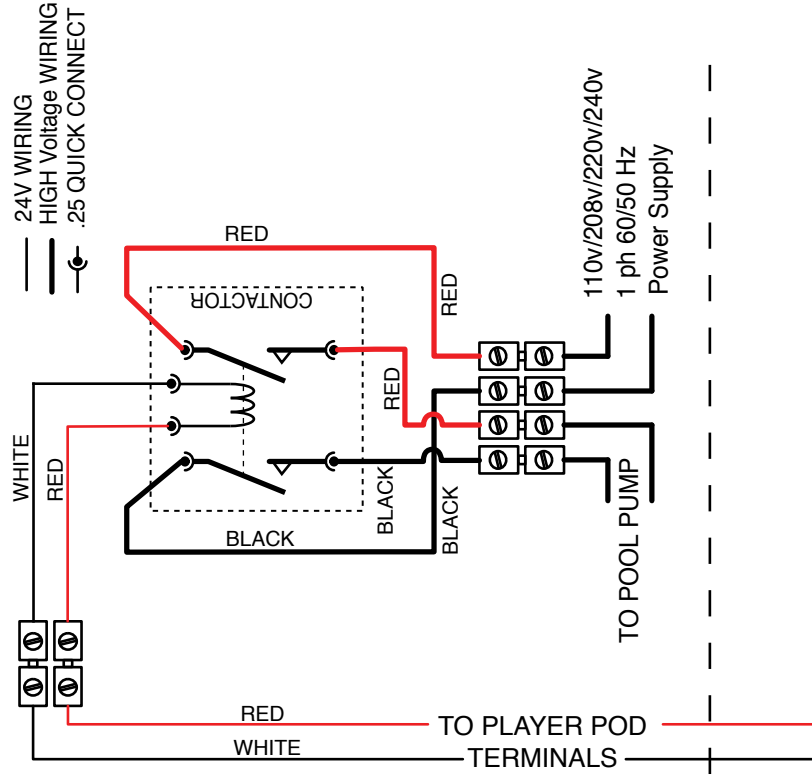
Power Supply 3 wire 380/440v 3 ph 50/60 Hz



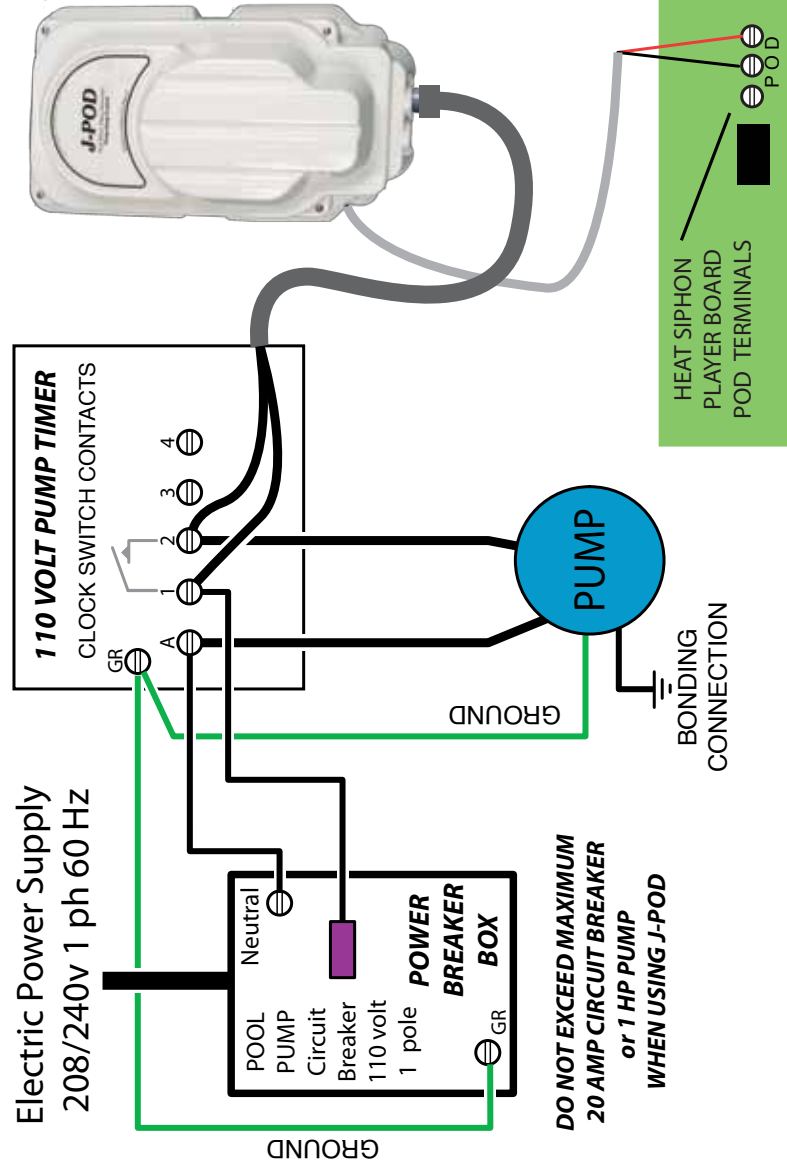
Power Supply 5 wire 380/440v 3 ph 50/60 Hz



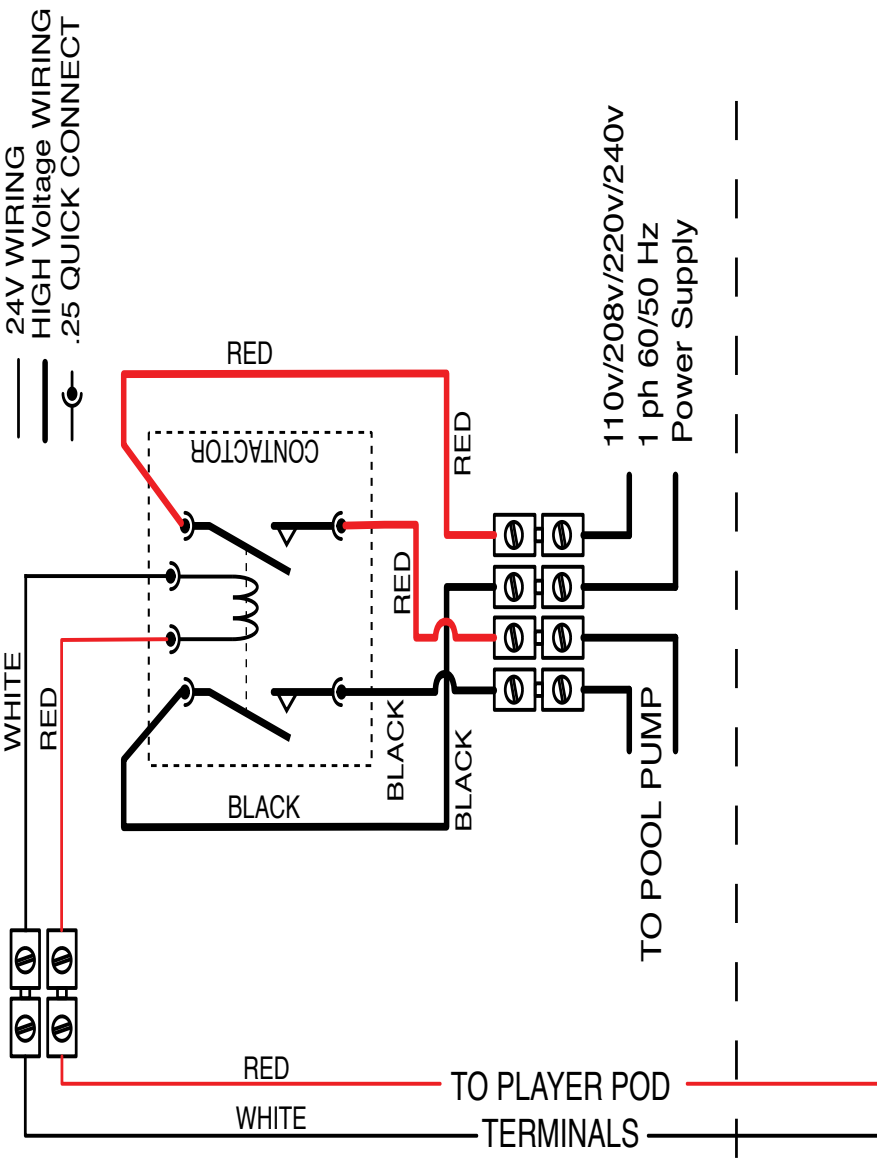
J-POD INTERNAL WIRING DIAGRAM



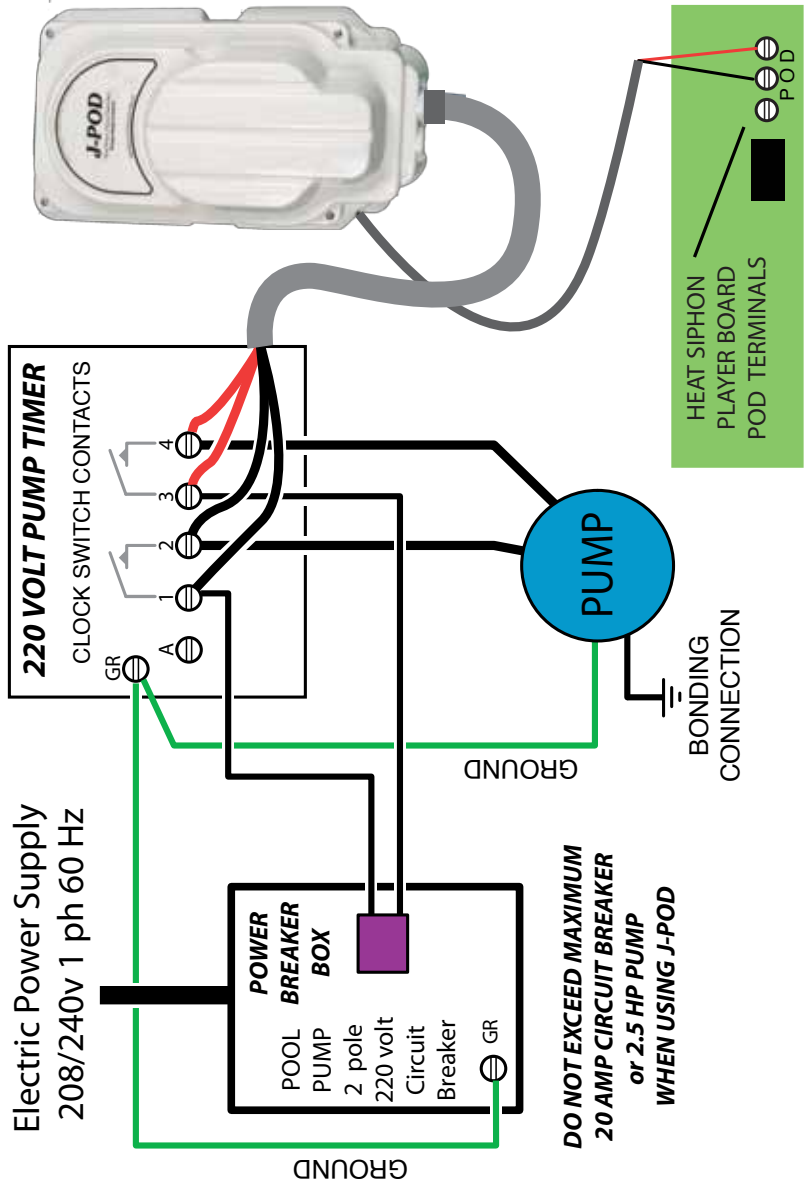
INSTALLATION DRAWING



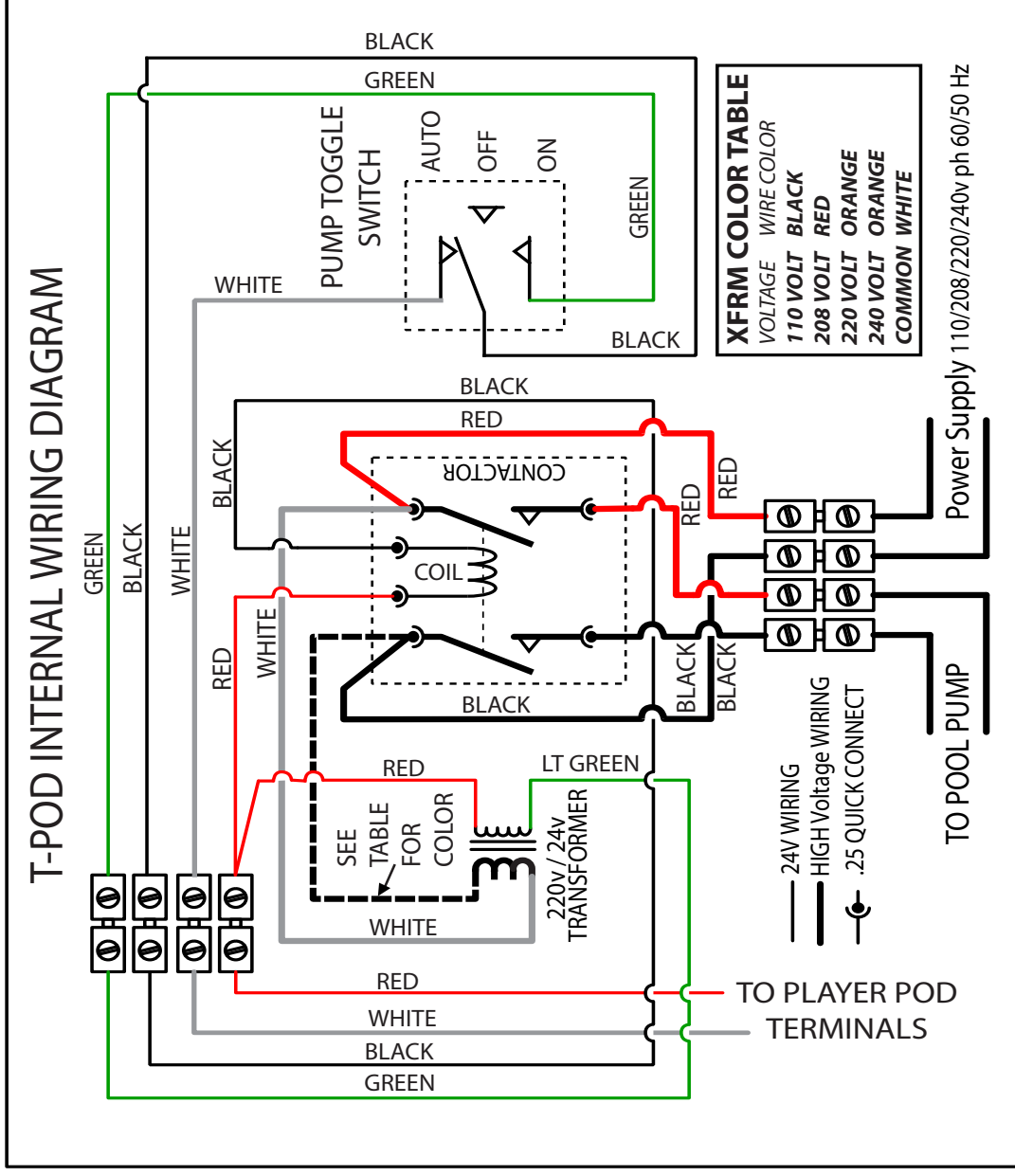
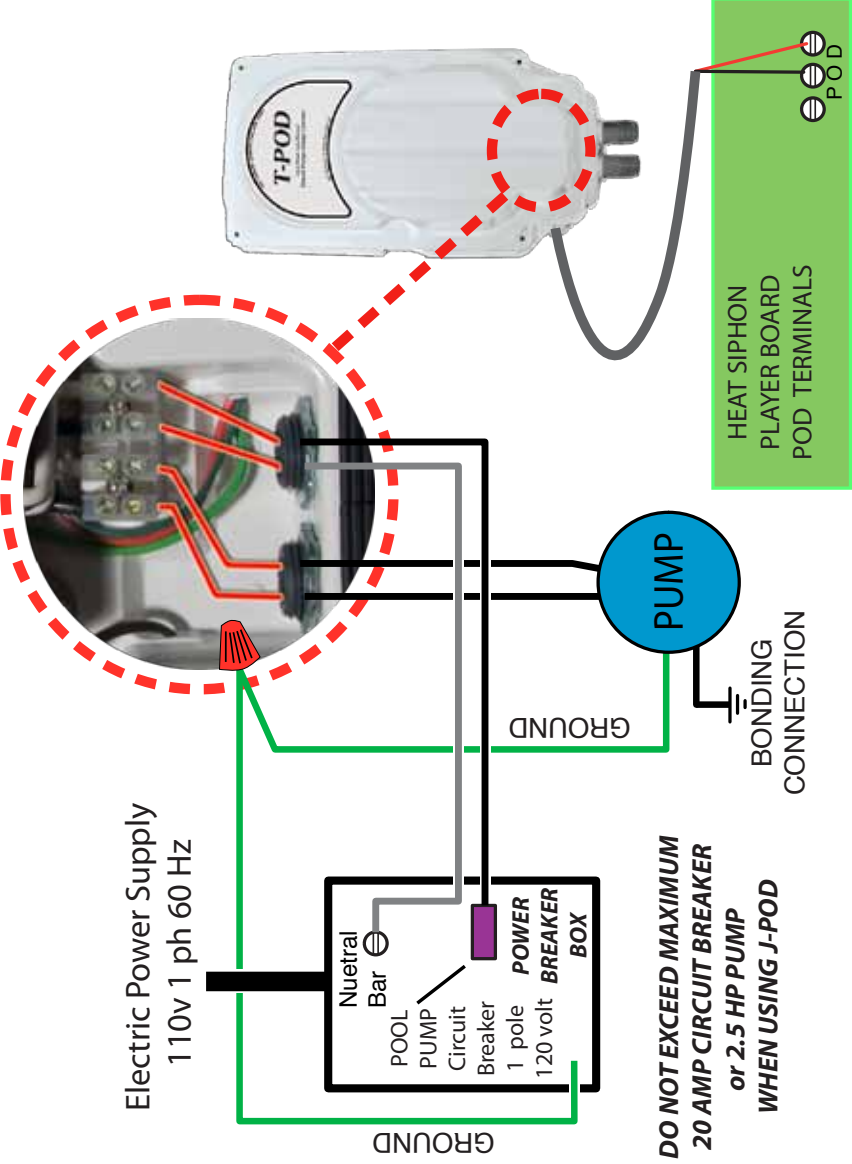
J-POD INTERNAL WIRING DIAGRAM



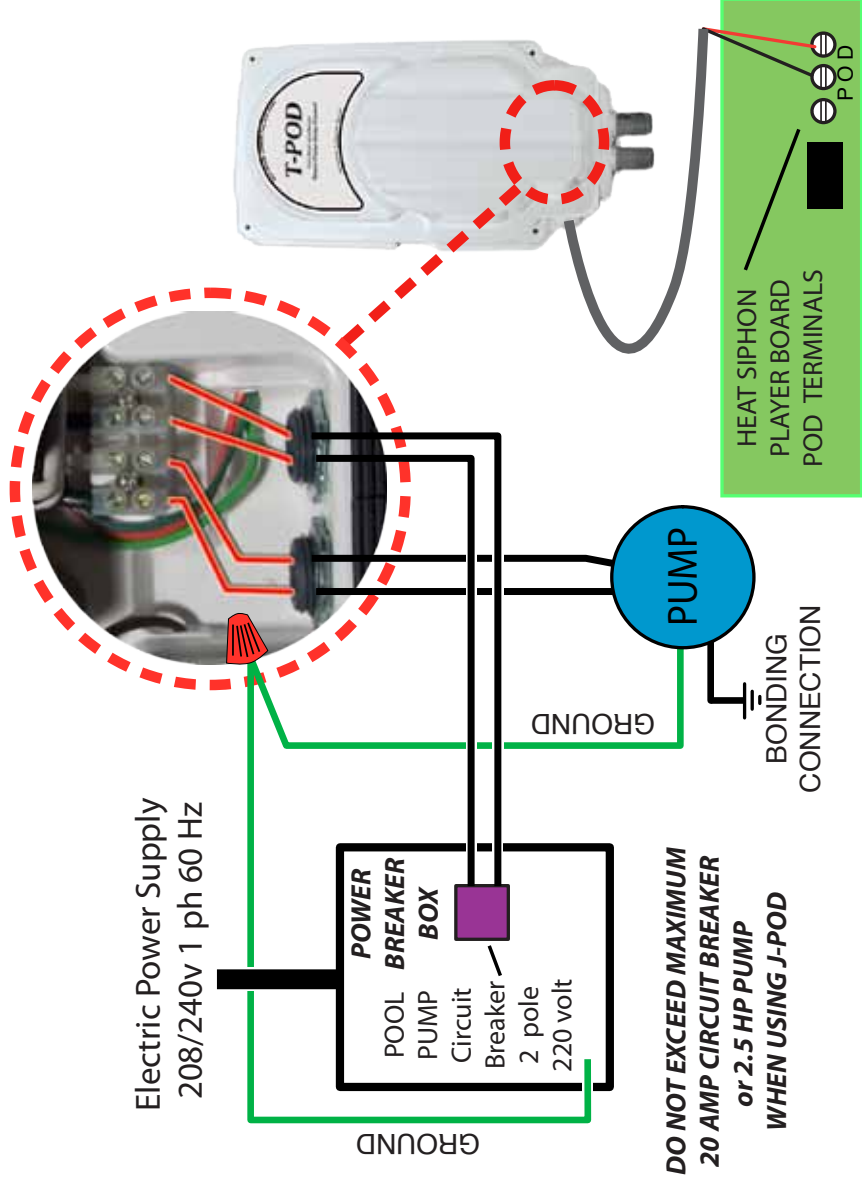
INSTALLATION DRAWING



INSTALLATION DRAWING 110v T-POD

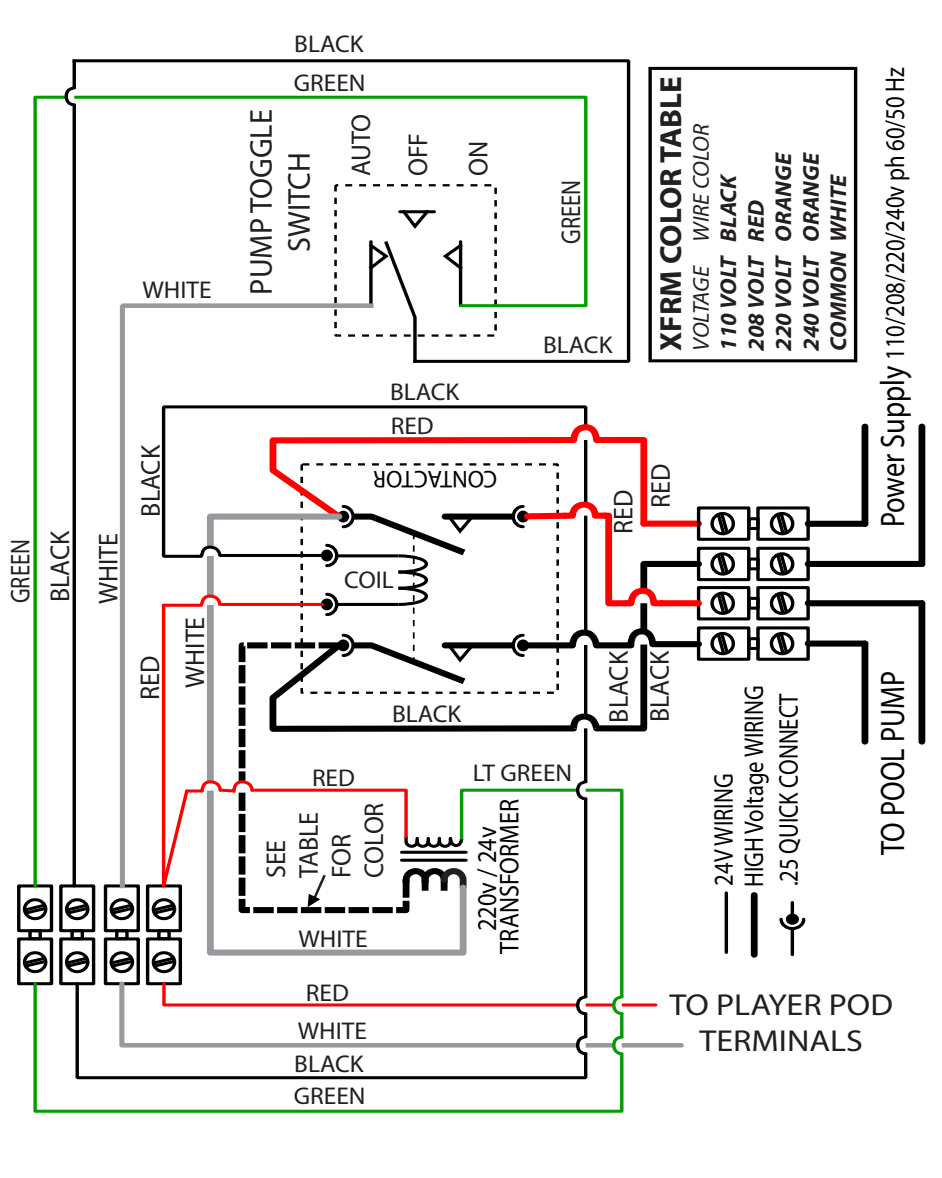


INSTALLATION DRAWING 220v T-POD



**DO NOT EXCEED MAXIMUM
20 AMP CIRCUIT BREAKER
or 2.5 HP PUMP
WHEN USING J-POD**

T-POD INTERNAL WIRING DIAGRAM



RESERVED

RESERVED

RESERVED

RESERVED

RESERVED

Wiring Diagram

Document Revision Record

This is a record of all revisions to this Wiring Diagram Document:

<i>REV</i>	<i>DATE</i>	<i>Description of Changes</i>
<i>A</i>	<i>1-15-10</i>	<i>Issued NEW R410A Unit Wiring Diagrams</i>
<i>B</i>	<i>4-6-10</i>	<i>Added Contractor Series Analog- R410a w/Timerstat</i>
<i>C</i>	<i>9-1-10</i>	<i>Added 3 pole 50 amp Contactor for 5/7hp C & Z Series</i>
<i>D</i>	<i>5-2-11</i>	<i>Reformatted for Web</i>